



**Play The Best®**

**TABLE TENNIS TABLE  
MODEL NO.  
T8731 (ST3000)**

## **OWNER'S MANUAL**

- 1. Read this manual carefully before starting assembly.** Read each step completely before beginning each step.
- 2. Some smaller parts may be shipped inside larger parts. Check inside all parts and cartons before assembling or ordering parts.**
- 3. Do not tighten hardware until instructed to do so.** If hardware is tightened too soon, mounting holes may not align and parts may not easily fit together. Leave locknuts slightly loose until you are instructed to tighten them.
- 4. Tools required for assembly:** Phillips Screwdriver, Two 9/16" Wrenches, Two 7/16" Wrenches.  
Note: Adjustable wrenches can be substituted for wrenches.

**Please Do Not Return This Product To The Store!**

Contact Escalade® Sports customer service department at:

Phone: 1-800-467-1245 Toll – Free !

Fax: 1-866-873-3533 Toll – Free !

E-mail: [tabletennis@escaladesports.com](mailto:tabletennis@escaladesports.com)

Mailing Address (correspondence only):

Escalade Sports

PO Box 889

Evansville, IN 47706

Please visit our World Wide Web site at: [www.escaladesports.com](http://www.escaladesports.com)

**ON-LINE TROUBLE SHOOTING**

**TECHNICAL ASSISTANCE**

**ON-LINE PARTS REQUESTS**

**FREQUENTLY ASKED QUESTIONS**

**ADDITIONAL ESCALADE® SPORTS PRODUCT INFORMATION**

**ESCALADE®**  
**S P O R T S**


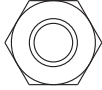
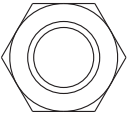
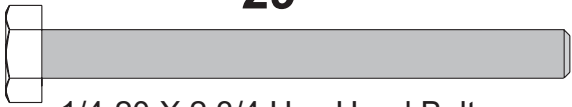
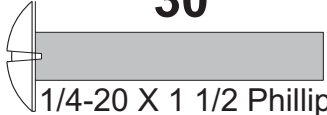
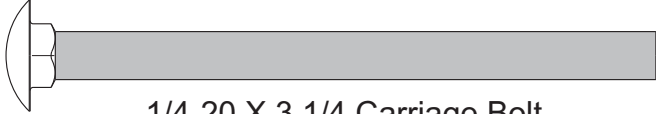
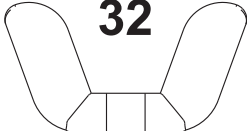


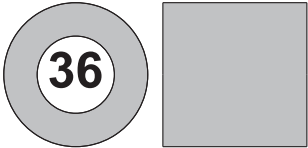

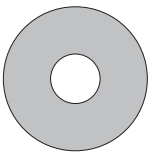
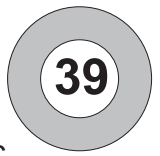




2L-5038-02

Escalade® Sports products may be manufactured and/or licensed under the following patents.  
6120397, 5816957, 5769744, 5119741, 4911085, 4717157, D460140, D420563

Additional patents may be pending. One or more of the listed patents and/or pending patents may cover specific product.

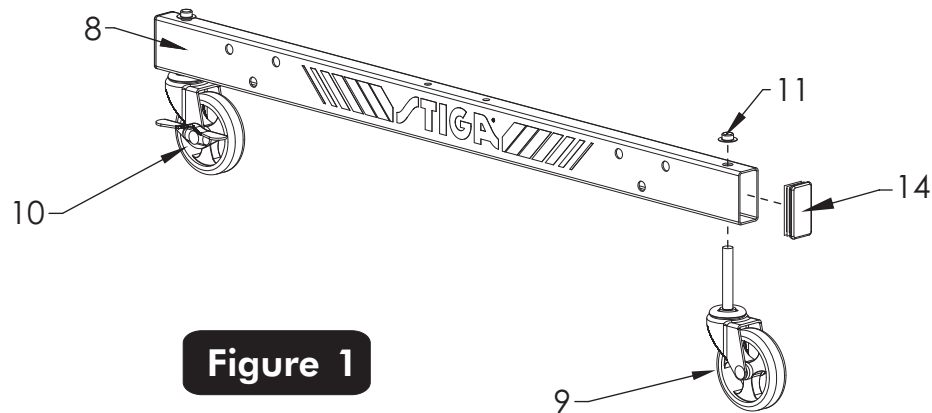
©2010 Escalade® Sports

# HARDWARE IDENTIFIER

<p><b>27</b></p>  <p>3/8-16 x 3 1/2 Hex Head Bolt (Qty. 4)</p>	<p><b>34</b></p>  <p>1/4-20 Nyloc Locknut (Qty. 20)</p>			
<p><b>28</b></p>  <p>3/8-16 Nyloc Locknut (Qty. 12)</p>	<p><b>29</b></p>  <p>1/4-20 X 2 3/4 Hex Head Bolt (Qty. 4)</p>	<p><b>30</b></p>  <p>1/4-20 X 1 1/2 Phillips Truss Head Screw (Qty. 4)</p>		
<p><b>31</b></p>  <p>1/4-20 X 3 1/4 Carriage Bolt (Qty. 4)</p>		<p><b>32</b></p>  <p>1/4-20 Wing Nut (Qty. 4)</p>	<p><b>5</b></p>  <p>#8 X 9/16 SMS (Qty. 128)</p>	
<p><b>35</b></p>  <p>#8-32 X 1 1/4 Sheet Metal Screw (Qty. 4)</p>	<p><b>36</b></p>  <p>3/4" Long Spacer (Qty. 4)</p>	<p><b>37</b></p>  <p>3/8" Long Spacer (Qty. 4)</p>	<p><b>38</b></p>  <p>1/4" Plastic Washer (Qty. 8)</p>	<p><b>39</b></p>  <p>3/8" Plastic Washer (Qty. 8)</p>
<p><b>13</b></p>  <p>3/8-16X2 3/4 Hex Head Bolt (Qty. 8)</p>		<p><b>24</b></p>  <p>1/4-20 X 2 1/2" Hex Head Bolt (Qty. 12 )</p>	<p><b>11</b></p>  <p>3/8 Push Nut (Qty. 4)</p>	<p><b>23</b></p>  <p>Christmas Tree Clip (Qty. 4)</p>

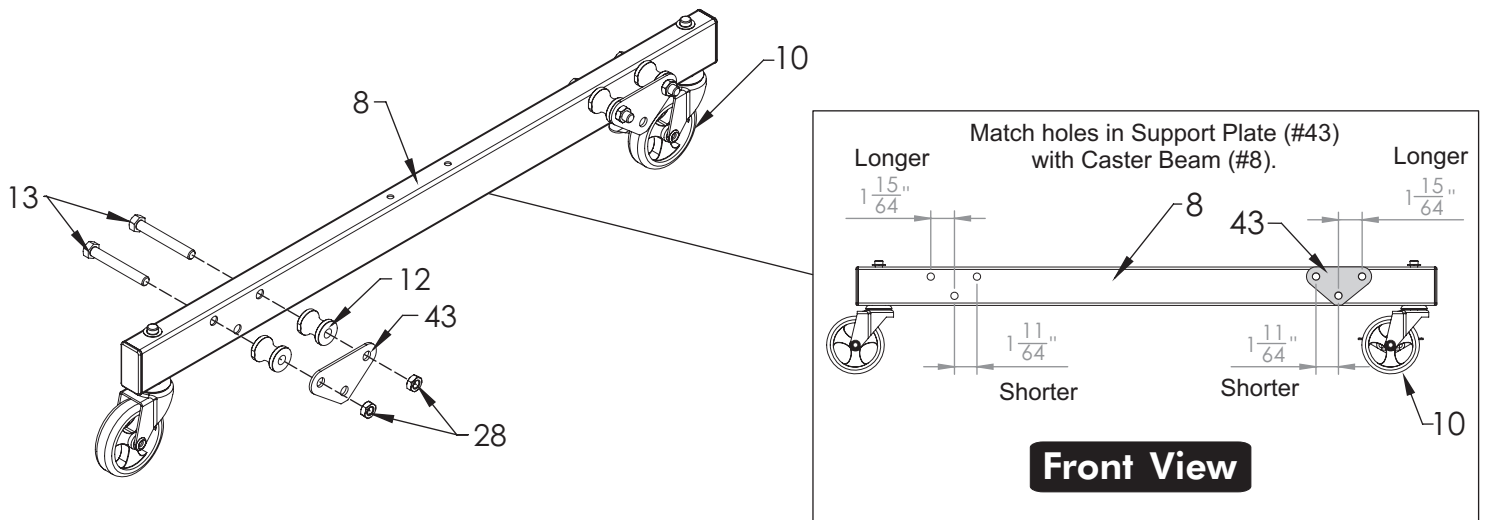
**1A.** Attach Caster Wheels (#9 & #10) to Caster Beam. Slide a Caster Wheel with Lock (#10) through Caster Beam (#8) and secure it with a Push Nut (#11) as shown in **Figure 1**. **Gently** tap the Push Nut (#11) with a hammer to secure it in place. On the other end of the Caster Beam attach a Caster Wheel without Lock (#9). Make sure you have one Caster Wheel with Lock and a Caster Wheel without Lock for each Caster Beam. Repeat step for second Caster Beam.

**1B.** Attach Tube Plugs (#14) to Caster Beam (#8) as shown in **Figure 1**.



**Figure 1**

**2.** Lay Support Plates (#43) on Caster Beam (#8) to line up holes, the distance between middle holes to side holes is different, see **Front View** of **Figure 2**. Attach Stop Spools (#12) and Support Plates (#43) to side of Caster Beam without logo with Bolts (#13) and Nuts (#28) but **do not** tighten completely. See **Figure 2**. Repeat step for second Caster Beam.



**Figure 2**

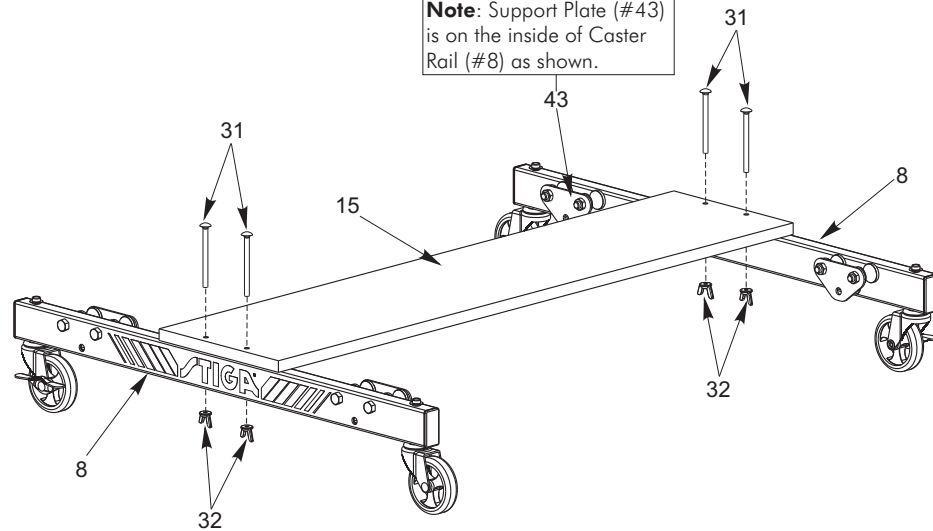


## WARNING:

READ AND FOLLOW ALL ASSEMBLY, OPERATING, AND SAFETY INSTRUCTIONS CAREFULLY. AT LEAST TWO (2) ADULTS ARE NEEDED TO PUT THIS TABLE TOGETHER!

3. Attach Wood Bottom Board (#15) to Caster Beam Assemblies (#8) as shown in **Figure 3**. Turn Caster Beams as shown and attach board with four Carriage Bolts (#31) and four Wing Nuts (#32). Tighten Wing Nuts securely.

**Note:** Support Plate (#43) is on the inside of Caster Rail (#8) as shown.



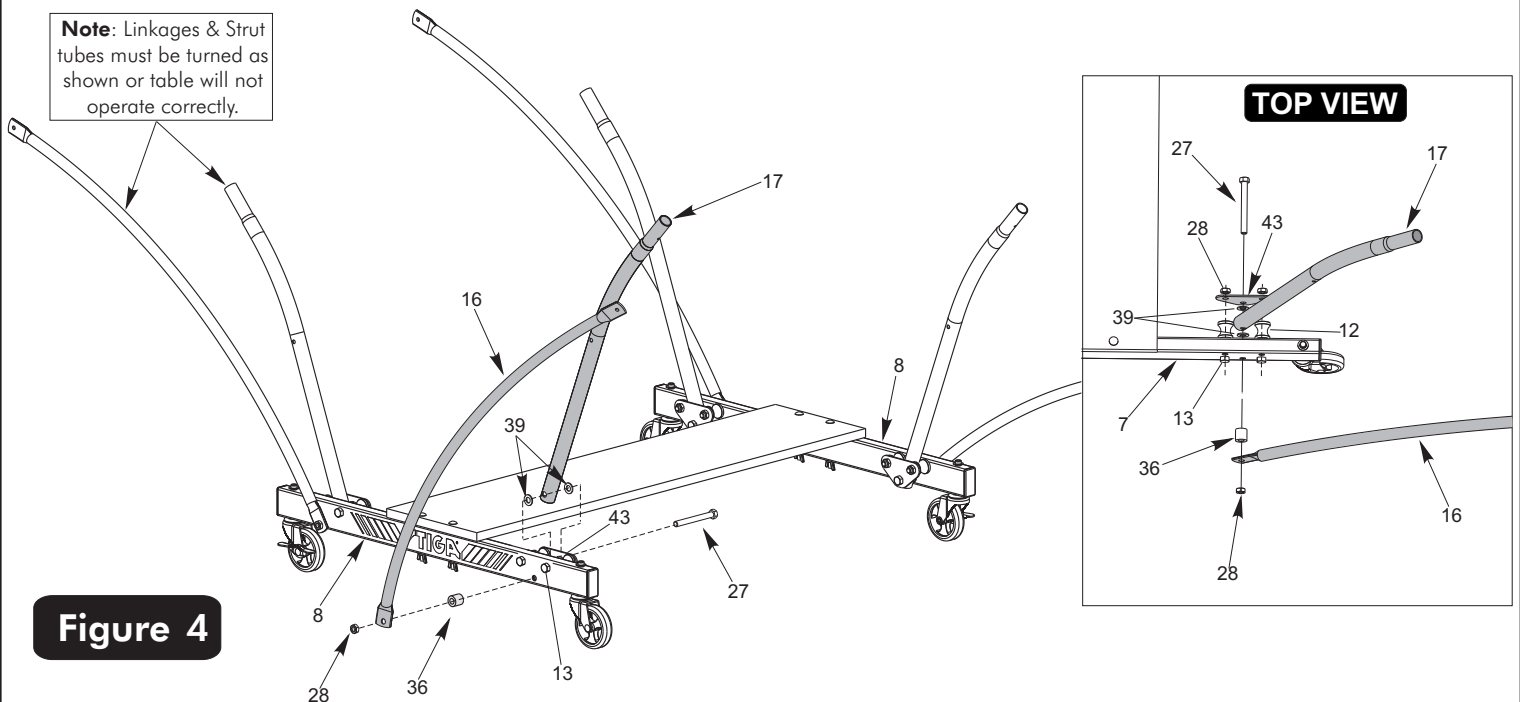
**Figure 3**

4. Attach Strut Tubes (#17) and Linkages (#16) to Caster Beam Assemblies (#8) as shown in **Figure 4**.

- a) If necessary loosen Bolts (#13) and Nuts (#28) so that Strut Tube (#17) can fit between Support Plate (#43) and Caster Beam (#8) as shown in the **Top View** and **Figure 4**.
- b) Slide one Hex Bolt (#27) through Support Plate (#43), followed by one Plastic Washer (#39), Strut Tube (#17), one Plastic Washer (#39), pass through Caster Beam (#8), one Spacer (#36), one Linkage (#16), and Lock Nut (#28).
- c) Repeat on other end of Caster Beam (#8) and on second Caster Beam.
- d) Tighten Bolts (#13) and Nuts (#28) securely.
- e) Tighten Nuts (#28) on Bolts (#27) securely.

**NOTE:** Tighten nuts so that end of Bolt (#27) is even with the edge of nut.

**Note:** Linkages & Strut tubes must be turned as shown or table will not operate correctly.

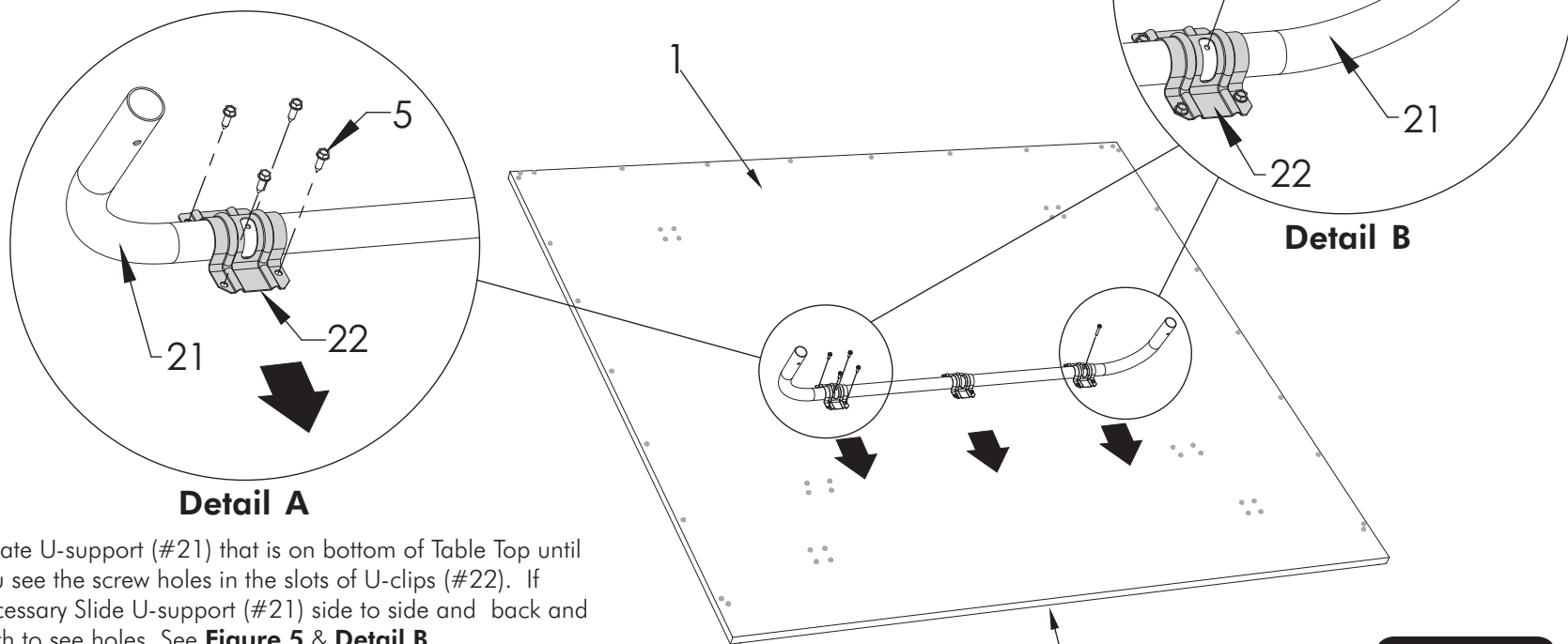


**Figure 4**

5. Lay Table Top (#1) painted side down, on a smooth, flat surface. Use the shipping container to protect the painted surface of table top.
6. Align the "U" Support (#21) on Table Top (#1) as shown in **Figure 5**.
7. Align all four holes in each U-Clip (#22) with the four pilot holes in table top. Be sure that Slot in the Three U-Clips (#22) all face the same direction toward the end of the table with no stripe and no pilot holes. Secure U-Clips (#22) with Screws (#5) as shown in **Figure 5 & Detail A**.

**Note:** All four holes in the U-Clip (#22) must align with four pilot holes in table top. See **Detail A**.

**! CAUTION:**  
 WHEN ASSEMBLING TABLE, IT IS EXTREMELY IMPORTANT THAT THE U-CLIPS (#22) BE TURNED AS SHOWN HERE. IF U-CLIPS ARE TURNED INCORRECTLY, YOU WILL DO IRREPARABLE DAMAGE TO YOUR TABLE WHEN YOU ATTEMPT TO OPEN IT TO THE PLAYING POSITION.



8. Rotate U-support (#21) that is on bottom of Table Top until you see the screw holes in the slots of U-clips (#22). If necessary Slide U-support (#21) side to side and back and forth to see holes. See **Figure 5 & Detail B**.
9. Insert Screw (#35) through slot in U-clip (#22) and into U-support (#21). See **Figure 5 & Detail B**. Thread screw all the way into U-support until it touches the back of the tube. There should be about 3/8" of screw (#35) left sticking out. Repeat for second Screw (#35) and U Clip (#22).

**Note:** To aid in assembly you can use a cordless drill and Phillips bit for **Step 9 only**. **Wear safety glasses.**

**Note:** End with no stripe and no pilot holes.

**Figure 5**

10. Assemble parts to the bottom of the table top with Screws (#5) as shown in **Figure 6, Detail C** and **Detail D**.

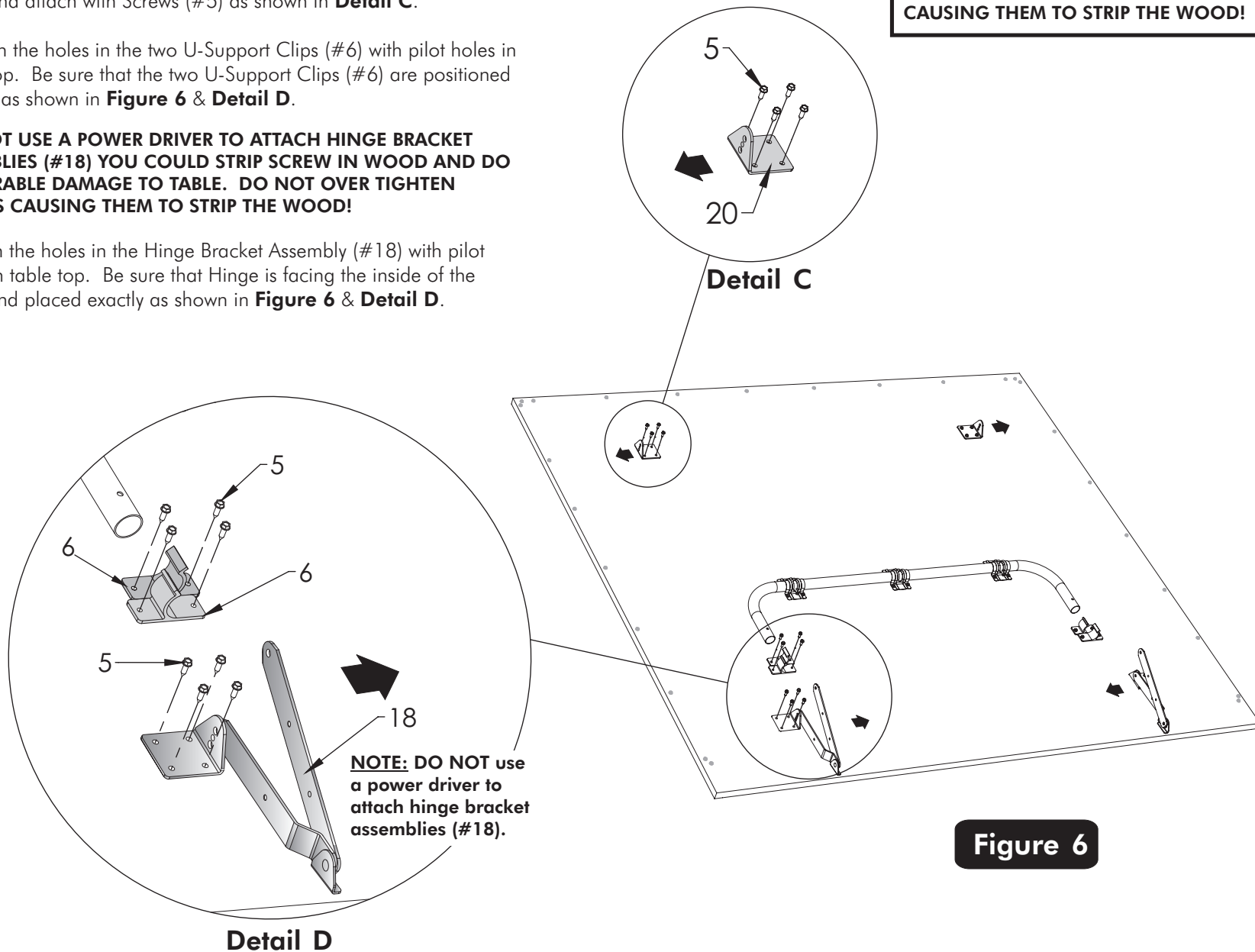
a) Align the holes in the Leg Mounting Bracket (#20) with the holes in the table. Be sure that the bracket is facing towards the side of the table and attach with Screws (#5) as shown in **Detail C**.

b) Align the holes in the two U-Support Clips (#6) with pilot holes in table top. Be sure that the two U-Support Clips (#6) are positioned exactly as shown in **Figure 6 & Detail D**.

**DO NOT USE A POWER DRIVER TO ATTACH HINGE BRACKET ASSEMBLIES (#18) YOU COULD STRIP SCREW IN WOOD AND DO IRREPARABLE DAMAGE TO TABLE. DO NOT OVER TIGHTEN SCREWS CAUSING THEM TO STRIP THE WOOD!**

c) Align the holes in the Hinge Bracket Assembly (#18) with pilot holes in table top. Be sure that Hinge is facing the inside of the table and placed exactly as shown in **Figure 6 & Detail D**.

**! WARNING:**  
**DO NOT USE A POWER DRIVER TO ATTACH HINGE BRACKET ASSEMBLIES (#18) YOU COULD STRIP SCREW IN WOOD AND DO IRREPARABLE DAMAGE TO THE TABLE. DO NOT OVER TIGHTEN SCREWS CAUSING THEM TO STRIP THE WOOD!**



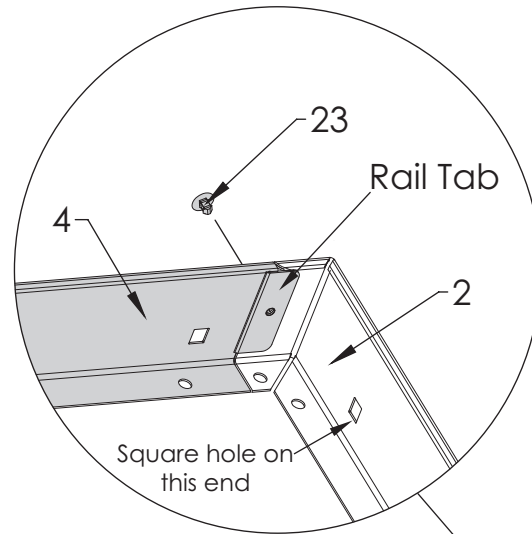
**Figure 6**

11. Lay out Rails (#2, 3 & 4) around edges of table top.  
See **Figure 7**.

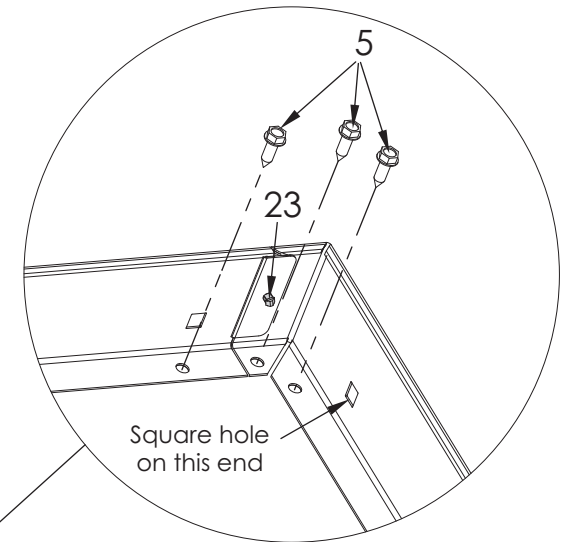
**Note:** Be sure square holes in Side Rails (#2 & #3) are located as shown in Figure 7, Detail E & F.

12. Line up Rail (#4) with Rail (#2). Make sure that Rail Tab on Rail (#4) is on the inside of Rail (#2). Secure Rails (#2) and (#4) by inserting a Christmas Tree Clip (#23) into both rails as shown in **Detail E**. Repeat for Rails (#3) & (#4).

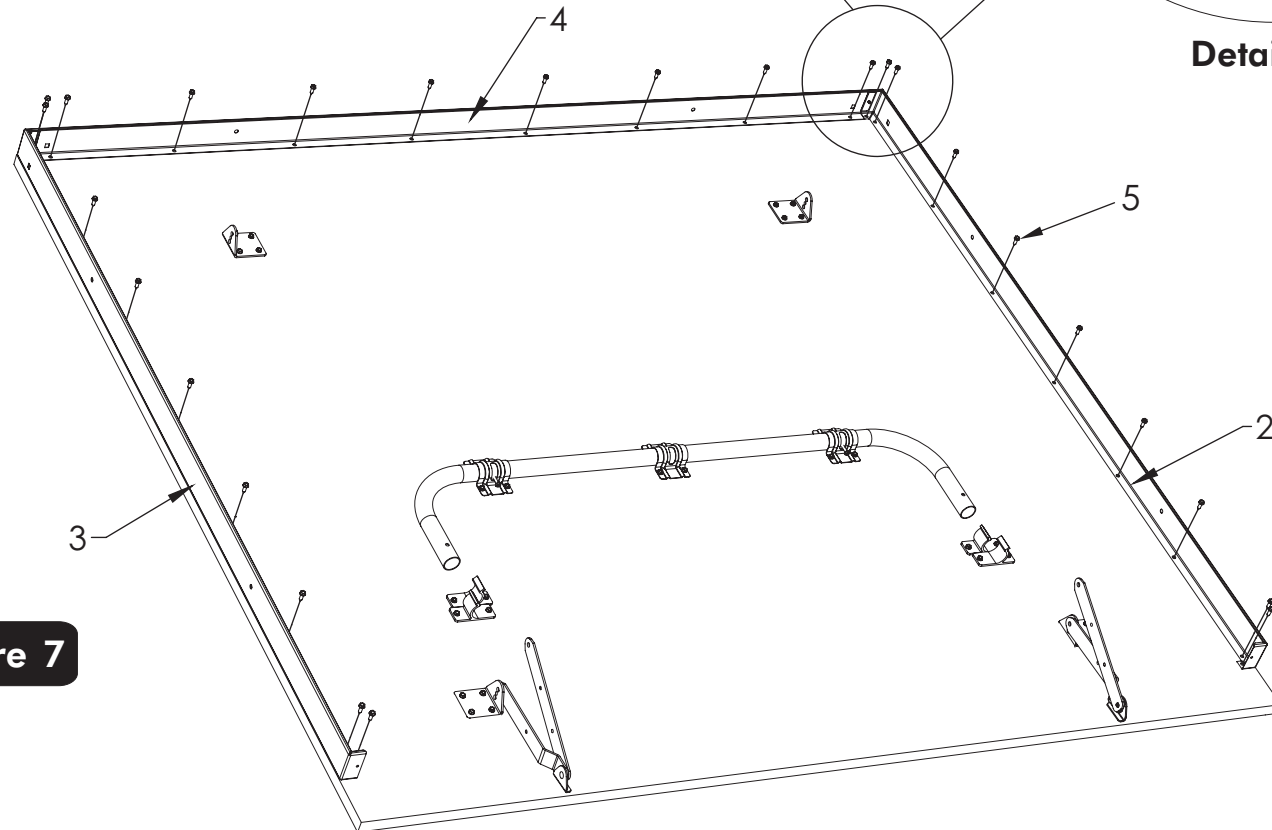
13. Line up holes in rails with pilot holes in table top and secure using Screws (#5). See **Figure 7** & **Detail F**.



**Detail E**

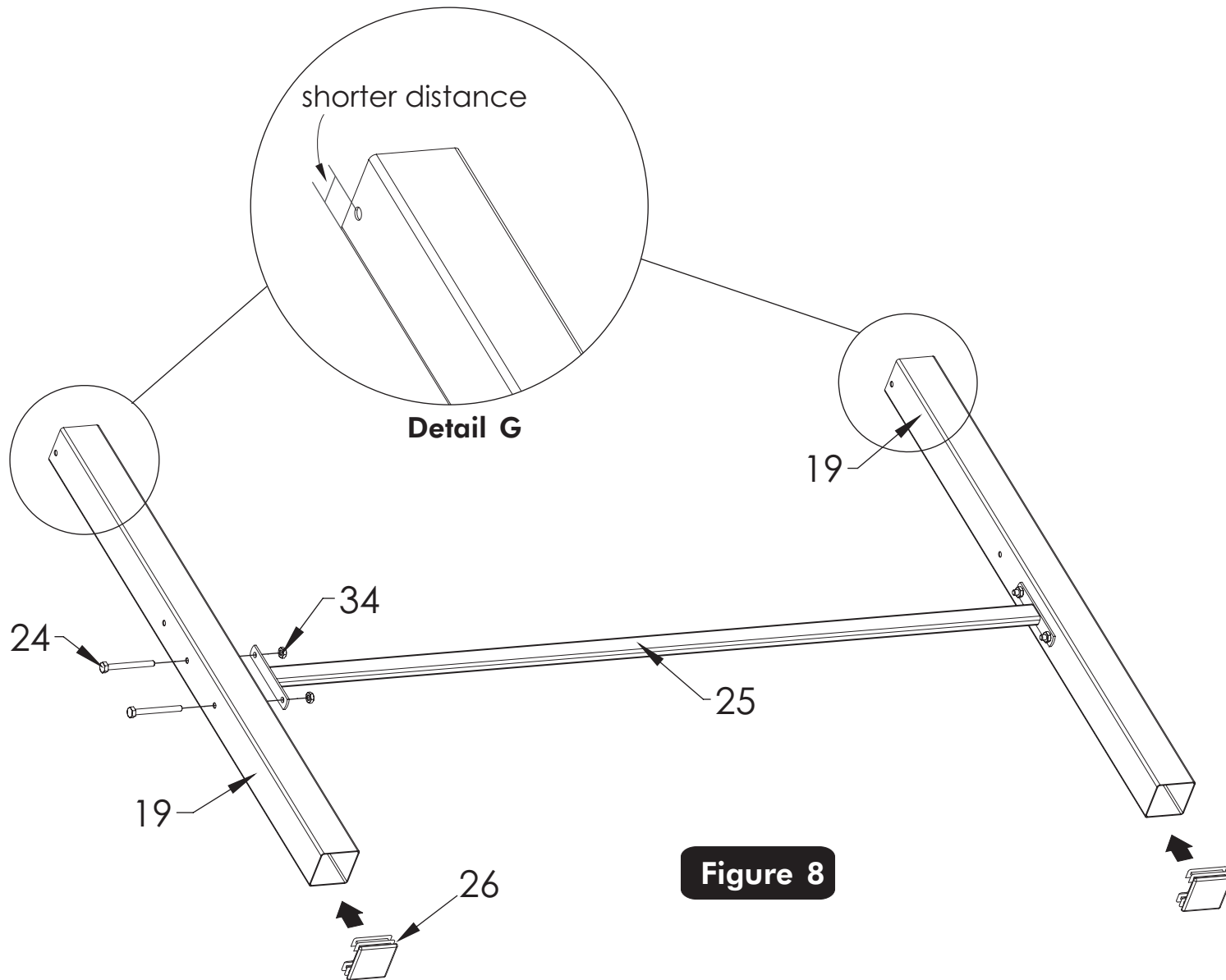


**Detail F**



**Figure 7**

14. Assemble Cross Tube (#25) to Legs (#19) with Hex Bolts (#24) and Nuts (#34) as shown in **Figure 8**. Be sure that the offset holes in (#19) Legs match each other as shown in **Detail G**.
15. Attach leg caps (#26) to bottom of the legs (#19) as shown in **Figure 8**.



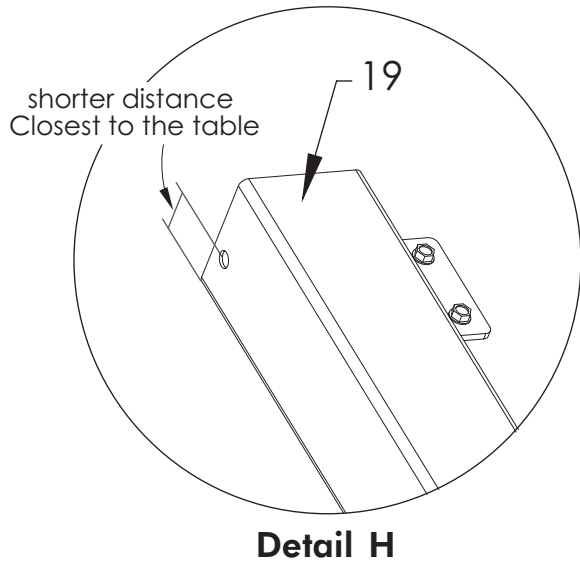
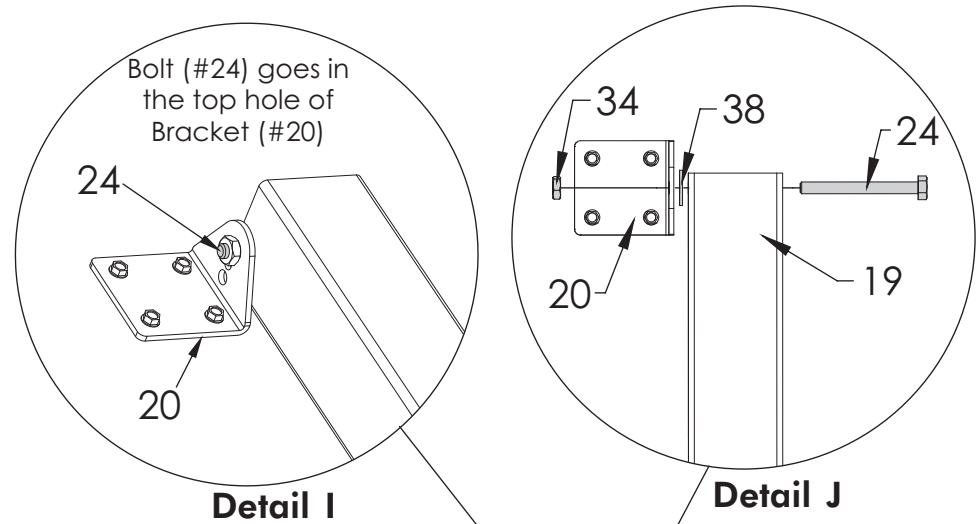


16. Place Leg Assembly (from previous step) on table top. **Be sure that the offset holes in (#19) legs are closest to the table.** See **Figure 9 & Detail H.**

17. Attach leg Assembly (from previous step) to Bracket (#20) with Hex Bolt (#24), Plastic Washer (#38) and Locknut (#34) as shown in **Detail I & Detail J.** Tighten the Locknuts (#34) all the way but **be careful not to over tighten** as you could bend the Leg (#19).

**NOTE:** Prepare an area for the assembly of the second table top half. If necessary, move the first table top half aside with the aid of a helper. Be sure to place it in a location where it won't be disturbed or damaged. If setting on its side, be sure to place the bottom edge no less than 12 inches away from the wall. Also be sure to place carpet or pieces of the shipping carton down to protect table top edges. If floor is not carpeted, brace table top half with a heavy object to keep it from sliding.

18. Repeat steps 10 through 17 to complete second Table Top Assembly.



**Figure 9**

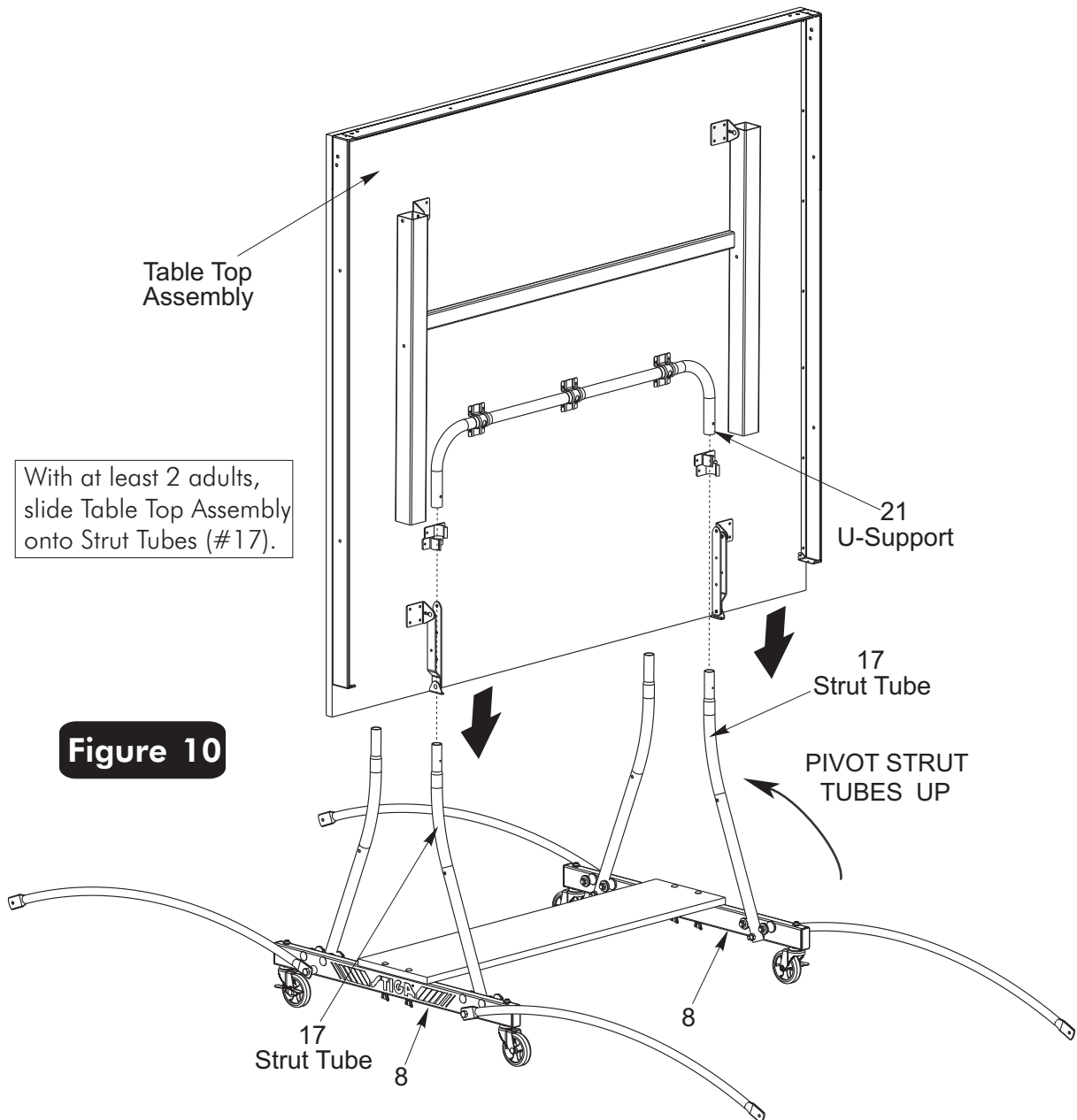
19. Attach Table Top Assembly to Base Assembly as shown in **Figure 10**. Pivot Strut Tubes (#17) up as shown; then, with at least one adult on each side of Table Top, lift top and align ends of U-support tube (#21) with tops of Strut Tubes (#17) on Caster Beams (#8) as shown in **Figure 10**. Slide tubes together.

**! WARNING:**

DO NOT OPEN THE TABLE TO PLAYING POSITION UNTIL BOTH TOPS ARE INSTALLED! DO NOT LEAVE TABLE STANDING UNATTENDED. IT COULD BE KNOCKED OVER CAUSING SERIOUS BODILY INJURY OR PROPERTY DAMAGE.

**! WARNING:**

AT LEAST TWO (2) ADULTS ARE NEEDED TO COMPLETE THE REST OF THIS ASSEMBLY! WHEN ASSEMBLING TOPS TO BASE, HANDLE TOP ASSEMBLIES BY GRASPING ONLY THE TOPS THEMSELVES. DO NOT GRASP METAL LEGS, U-SUPPORT, LINKAGE, OR HINGES. THESE PARTS CAN MOVE AND COULD PINCH FINGERS OR HANDS CAUSING SERIOUS INJURY! ASSEMBLE AS SHOWN WITH LEGS FULLY CLOSED AND TOPS IN A VERTICAL POSITION. DO NOT OPEN LEGS AND TRY TO ASSEMBLE. TABLE TOPS ARE HEAVY - DO NOT ATTEMPT TO ASSEMBLE ALONE!



20. Screw U-support tube (#21) to Strut Tubes (#17) with two Screws (#5) as shown in **Figure 11**. Align holes in U-support with holes in Strut Tubes and thread screw (#5) into hole in Strut Tube (#17). Tighten screws all the way but be careful not to over tighten as you could strip threads on screws.

**Note:** If hinge (#18) is positioned as shown in **Detail K**, you will have to rotate the hinge to the position shown in **Detail L**. **DO NOT** unscrew the hinge, you can rotate the hinge without unscrewing it from the table.

If you want to see a video on how to position Hinge (#18) go to:  
<http://www.escaladesports.com/customer-service/videos.html>

21. Attach Hinges (#18) to Strut Tubes (#17) as shown in **Figure 11** & **Detail L**. With hinge positioned as shown, align hole in hinge with hole in Strut Tube and attach with 1/4" Screw (#30), Plastic Washer (#38) and Locknut (#34). Plastic Washer (#38) goes between Strut Tube and Hinge. Tighten nut securely. Repeat for other Hinge. **CAUTION: Hinges must be positioned exactly as shown or table will not operate correctly and could be damaged. DO NOT take Hinges off.**

22. Attach Linkages (#16) to Leg (#19) as shown in **Figure 11**. Pivot Leg (#19) out from the table top and pivot both linkages (#16) up and align hole in Linkage with hole in Leg (#19). Attach Linkage (#16) to Leg (#19) using Hex Head Bolt (#29), Spacer (#37) and Locknut (#34). Spacer (#37) goes between Linkage and Leg. Attach other Linkage to Leg the same way. Tighten nuts securely.

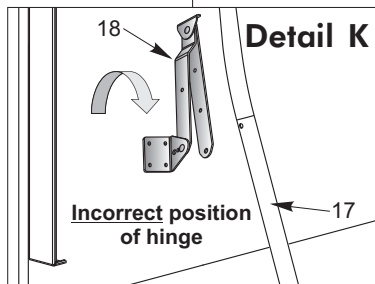
23. Attach Corner Protector (#40) to table corners. Push snap tabs on Corner Protector into holes in rails. **Be sure that tabs are aligned with holes before pushing.** You could break tabs if they are not aligned correctly.

24. **With at least two adults**, repeat steps 19 through 23 for other table top assembly.

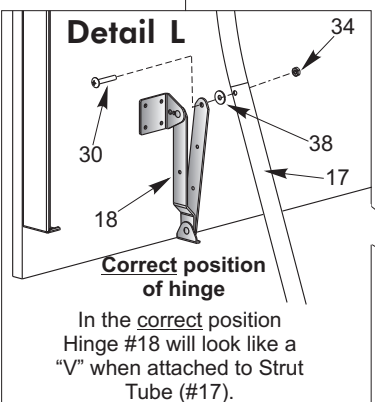
**! WARNING:**

**DO NOT OPEN THE TABLE TO PLAYING POSITION UNTIL BOTH TOPS ARE INSTALLED! DO NOT LEAVE TABLE STANDING UNATTENDED. IT COULD BE KNOCKED OVER CAUSING SERIOUS BODILY INJURY OR PROPERTY DAMAGE.**

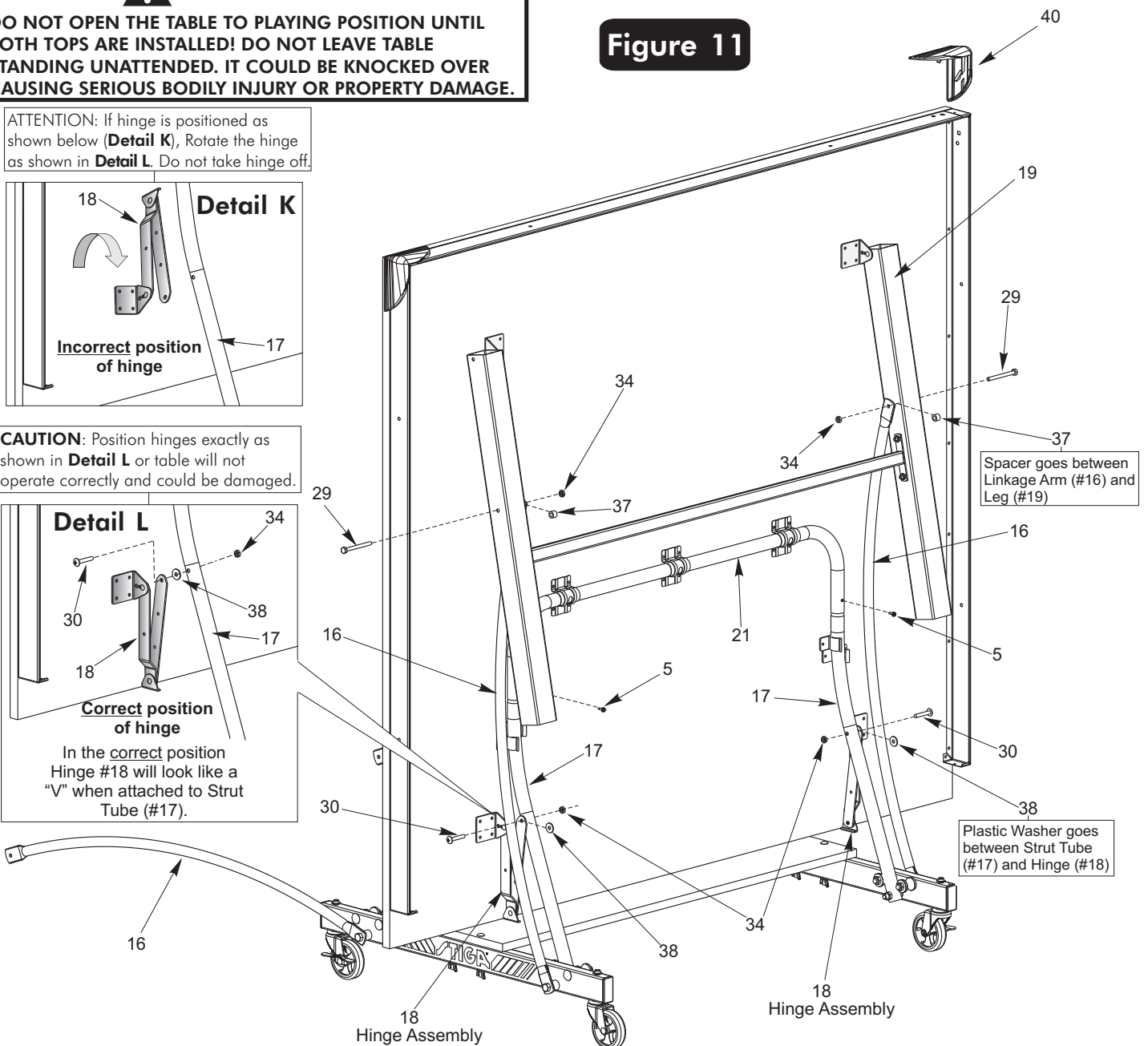
ATTENTION: If hinge is positioned as shown below (**Detail K**), Rotate the hinge as shown in **Detail L**. Do not take hinge off.



**CAUTION:** Position hinges exactly as shown in **Detail L** or table will not operate correctly and could be damaged.



**Figure 11**



# OPENING AND CLOSING INSTRUCTIONS



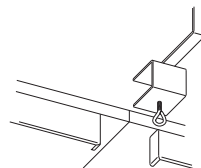
## CAUTION:

EXERCISE CAUTION IN OPENING/CLOSING TABLE. SMALL CHILDREN, OR CHILDREN NOT PROPERLY INSTRUCTED IN ITS USE, MUST NOT BE ALLOWED TO OPEN/CLOSE TABLE. IMPROPER HANDLING AND MISUSE CAN RESULT IN SERIOUS INJURY OR DAMAGE. DO NOT CLIMB, STAND, OR JUMP ON TABLE. MOISTURE AND CONDENSATION WILL DAMAGE PLAYING SURFACE OF THIS TABLE. STORE IN DRY, INDOOR PLACE.

### TO OPEN:

1. Hold center of top edge. Gently pull outward to midway position. Continue to pull until disengaged from plastic clips and legs rest on the floor as shown in Figure 12A and 12B. Do not leave table partially opened at midway position.
2. Lower second top as described in step 1.
3. Lock all four center hinges. See Figure 13.
4. Attach net posts and net to table as shown in Figure 14.

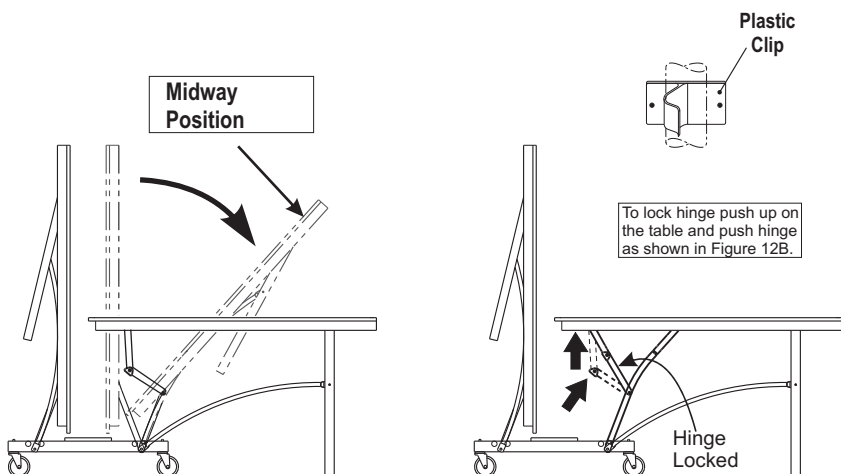
**NOTE: Net will be tight. It will be necessary to stretch net. This will insure proper net tension.**



**Figure 14**

### TO CLOSE:

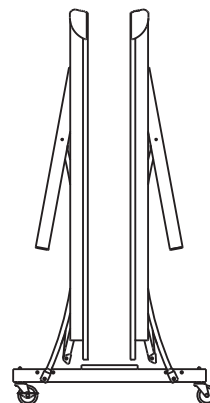
1. Remove net and net posts from table.
2. Unlock all four hinges.
3. Lift one table half to midpoint until the plastic clips are engaged. Then continue lifting until closed.
4. Raise other table half in the same manner as shown in Figure 15.



**PLAYBACK POSITION**

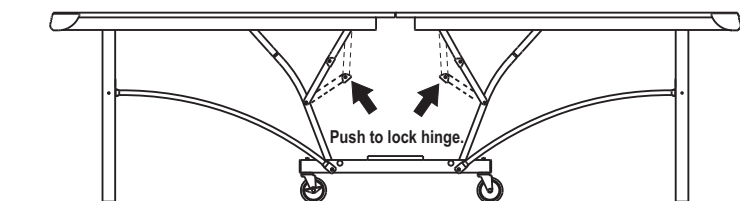
**Figure 12A**

**Figure 12B**



**Figure 15**

**STORAGE POSITION**

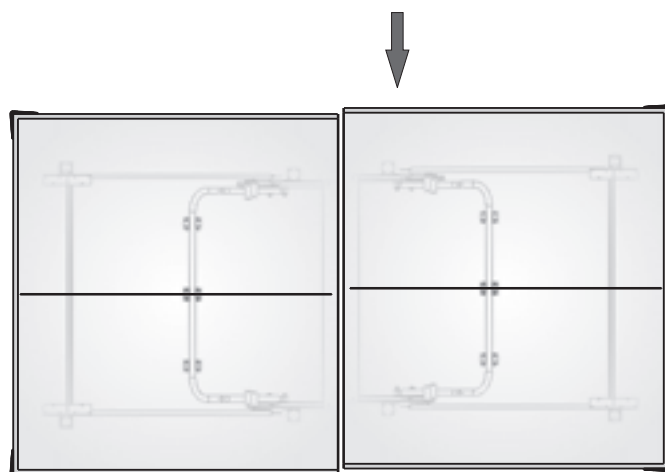


**PLAYING POSITION**

**Figure 13**

### IF TABLE IS NOT ALIGNING CORRECTLY: (see Figure 16)

1. Set the table to the Playing Position and lock hinges as shown in Figure 13.
2. Loosen Wing Nuts (#32) attached to bolt (#31) in order to create enough slack to align table tops. See Figure 3.
3. With the help of two other adults, push the two table top halves so they are in line with each other and re-tighten the Wing Nuts (#32) as shown in Figure 16.



**Figure 16**

**TOP VIEW**

## ONE YEAR LIMITED WARRANTY

This consumer warranty extends to the original consumer purchase of any ESCALADE® SPORTS Product (hereinafter referred as the "Product").

**WARRANTY DURATION:** This Product is warranted to the original consumer purchase of a period of one (1) year from the original purchase.

**WARRANTY COVERAGE:** ESCALADE SPORTS warrants to the original Consumer Purchaser that any Product of its manufacture is free from defects in material and workmanship when used for the intended purpose under normal use and conditions. THIS WARRANTY IS VOID IF THE PRODUCT HAS BEEN DAMAGED BY ACCIDENT, UNREASONABLE USE, NEGLIGENCE, IMPROPER SERVICE, FAILURE TO FOLLOW INSTRUCTIONS PROVIDED WITH THE PRODUCT OR OTHER CAUSES NOT ARISING OUT OF DEFECTS IN MATERIAL AND WORKMANSHIP.

**WARRANTY PERFORMANCE:** During the above one (1) year warranty period, ESCALADE SPORTS shall repair or replace with a comparable model, and Product, or component thereof, which may prove defective under normal use and proper care, and which our examination shall disclose to our satisfaction to be thus defective, please contact our Warranty Dept.

1-866-873-3528 / Warranty Dept.

Or Write us at:

Escalade® Sports, Inc. - P.O. Box 889, Evansville, IN 47706 - Attn: Warranty Dept.

Or E-mail us at:

customerservice@escaladesports.com

Other than shipping requirements no charge will be made for such repair or replacement of in-warranty Products. ESCALADE® SPORTS strongly recommends that the Product is insured for value prior to mailing.

**WARRANTY DISCLAIMERS:** ANY IMPLIED WARRANTIES ARISING OUT OF THIS SALE, INCLUDING BUT NOT LIMITED TO THE IMPLIED WARRANTIES OF MERCHANTABILITY AND FITNESS FOR A PARTICULAR PURPOSE, ARE LIMITED IN DURATION TO THE ABOVE ONE (1) YEAR WARRANTY PERIOD. ESCALADE® SPORTS SHALL NOT BE LIABLE FOR LOSS OF USE OF THE PRODUCT OR OTHER CONSEQUENTIAL OR INCIDENTAL COSTS, EXPENSES OR DAMAGES INCURRED BY THE CONSUMER OF ANY OTHER USE.

Some states do not allow the exclusion or limitation of implied warranties or consequential or incidental damages, so the above limitations or exclusions may not apply to you.

**LEGAL REMEDIES:** This warranty gives you specific legal rights and you may also have other rights which may vary from state to state.

## CARE AND MAINTENANCE

You have purchased a quality product that will give you years of enjoyment. By following these simple maintenance steps, you will add to the life of your new table.

### THE TABLE TOP

The top (playing surface) of your table is made of particle board or MDF. Like all products made of wood, it can be affected by atmospheric changes in both temperature and humidity. This may cause a slight sag or distortion as the top expands or contracts. This is normal and should not cause concern as it does not detract from the play or utility value of the table. After assembly of the table, you can minimize the effects of temperature and humidity changes by storing the table in the folded up position in a dry area when table is not in use.

### STORAGE OF YOUR TABLE

This table must be stored indoors to prevent damage to the playing surface. Dampness and extreme temperature changes can cause the wood to warp, swell, crack or blister. When your table is not in use, it should be folded up in a dry area. Due to the nature of particle board, table top may bow. Damp and humid conditions will amplify this. This is normal and will not affect playability of table.

### CLEANING YOUR TABLE

To clean your table use a soft, damp (NOT WET) cloth only. To prevent damage to your table's playing surface, DO NOT USE ANY CHEMICALS, ABRASIVE OR CLEANING PRODUCTS on your table's playing surface.

### MAINTENANCE OF YOUR TABLE

Be sure to oil all moving parts of your table including the pivot points. This will insure the safety and ease of use of your table.

This table must be kept indoors to prevent damage to the playing surface. Dampness and extreme temperature changes which occur on patios or similar areas can cause wood to warp, swell, crack or blister.

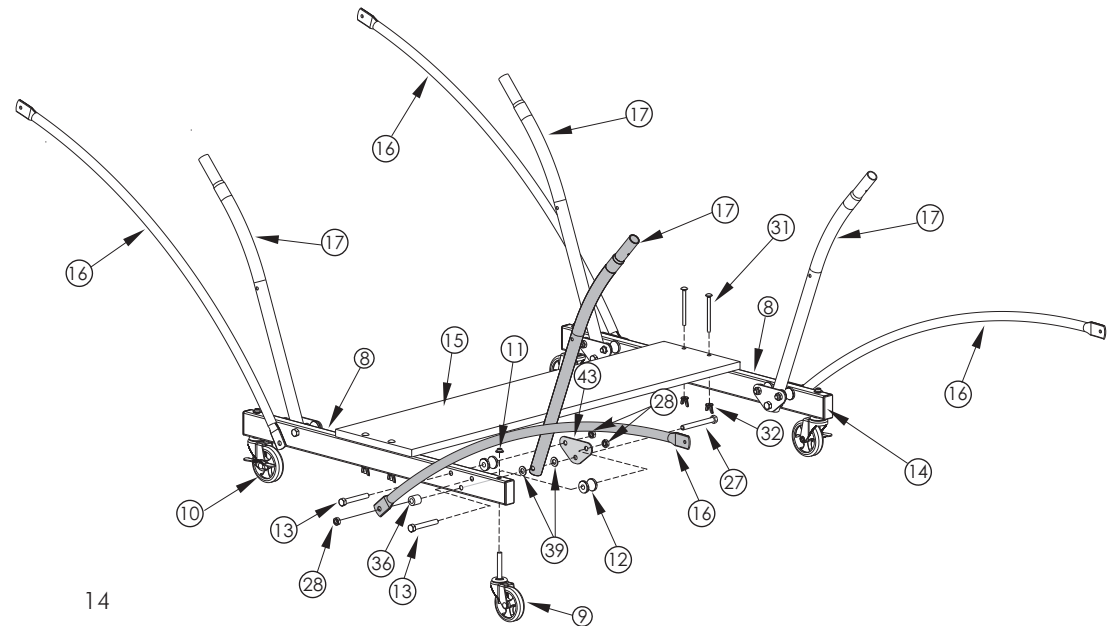
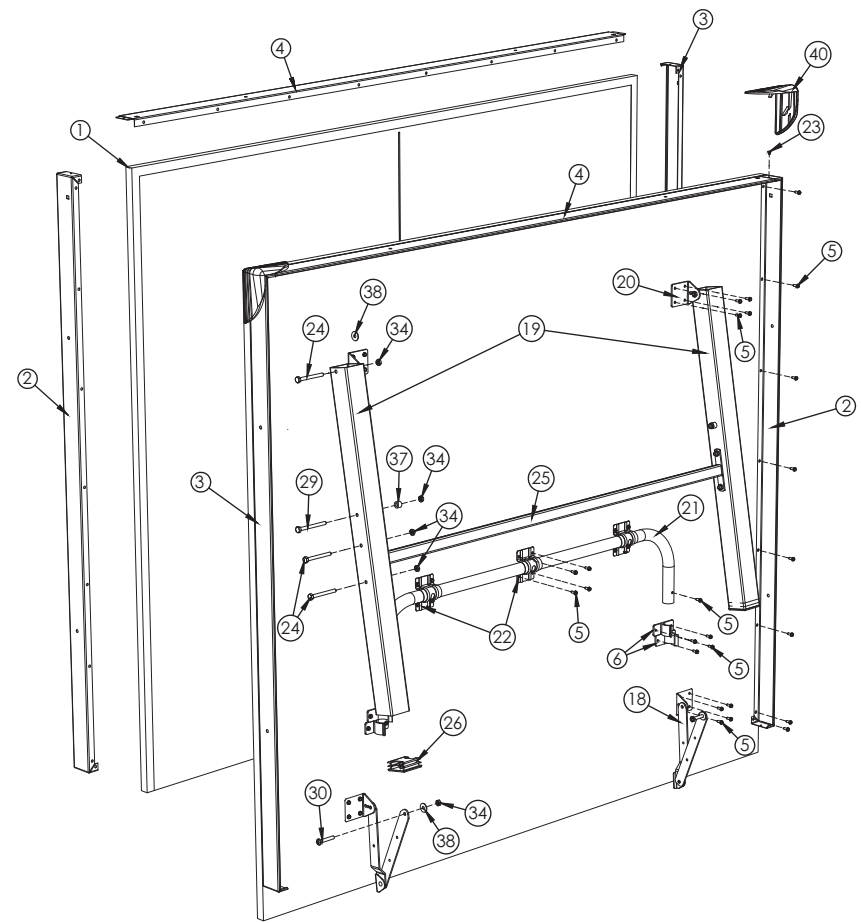
### UNEVEL FLOORS

If table does not seem level, it is probably due to uneven or unlevel floors. Set the table in its PLAYING POSITION and move table several inches in different directions to find the best location for the table. If the floor is extremely unlevel, table may not play or operate properly. If table is high in the center, shim up under the outer U-legs.

## Replacement Parts List for Model Number T8731

Key#	Part #	Description	Qty.
1	4A-5470-00	3/4" BLUE TOP ONLY	2
2	2S-9108-02	SIDE RAIL - RIGHT HAND	2
3	2S-9109-02	SIDE RAIL - LEFT HAND	2
4	2S-9107-01	END RAIL	2
5	1B-4082-99	#8 X 9/16 SHEET METAL SCREW	128
6	3M-6273-00	U-SUPPORT CLIP (PLASTIC)	8
7		NOT USED	
8	8S-6841-02	CASTER BEAM ONLY	2
9	2Q-4017-00	3" CASTER - NON LOCKING	2
10	2Q-4018-00	3" CASTER - WITH LOCK	2
11	2B-4043-00	3/8" PUSH NUT	4
12	3M-6884-00	STOP SPOOL	8
13	1B-6195-00	3/8-16 X 2 3/4 HEX HEAD BOLT	8
14	3M-6274-00	TUBE PLUG - 1" X 2"	4
15	2W-6258-03	BOTTOM BOARD	1
16	8S-6842-02	LINKAGE	4
17	8S-6850-05	STRUT TUBE	4
18	4A-5423-02	HINGE & MOUNTING BRACKET ASSEMBLY	4
19	8S-6866-01	LEG - BLUE	4
20	2S-4597-01	MOUNTING BRACKET ONLY	8
21	8S-6851-01	U SUPPORT	2
22	2S-6879-10	1" U-CLIP	6
23	3M-5025-00	CHRISTMAS TREE CLIP	4
24	1B-4137-00	1/4-20 x 2 1/2" HEX HEAD BOLT	12
25	1A-6341-01	CROSS TUBE	2
26	3M-6248-00	2" SQUARE PLUG	4
27	1B-6495-00	3/8-16 x 3 1/2 HEX HEAD BOLT	4
28	2B-4053-00	3/8-16 NYLOC JAM NUT	12
29	1B-4135-00	1/4-20 x 2 3/4 HEX HEAD BOLT	4
30	1B-4097-01	1/4-20 x 1 1/2 PHILLIPS HEAD SCREW	4
31	1B-6459-00	1/4-20 X 3 1/2 CARRIAGE BOLT	4
32	1N-0001-00	1/4-20 WING NUT	4
33		NOT USED	
34	2B-4047-98	1/4-20 NYLOC JAM NUT	20
35	1B-4089-00	#8-32 x 1 1/4 SHEET METAL SCREW	4
36	7B-4061-00	3/4 OD X 13/32 ID X 3/4 LONG SPACER	4
37	7B-6161-00	1/2 OD X 9/32 ID X 3/8 LONG SPACER	4
38	2B-6087-00	1/4" PLASTIC WASHER	8
39	2B-4054-00	3/8" PLASTIC WASHER	8
40	3M-6715-00	CORNER PROTECTOR	4
41	5A-6700-02	66" NET & POST SET (NOT SHOWN)	1
42	2L-5038-02	OWNERS MANUAL - T8731	1
43	2S-6875-02	SUPPORT PLATE	4

2L-5038-02







Play The Best®

MESA DE TENIS  
NÚMERO DE MODELO  
**T8731 (ST3000)**

## MANUAL DEL USUARIO

1. **Lea este manual cuidadosamente antes de empezar a ensamblar.** Lea completamente cada uno de los pasos antes de empezar cada paso.
2. **Algunas partes pequeñas pueden ser empacadas dentro de las partes grandes . Verifique en el interior de todas las partes y cartones antes de ensamblar o solicitar partes.**
3. **No ajuste las partes hasta que las instrucciones se lo indiquen.** Si las partes se ajustan antes de lo indicado, es posible que los hoyos no queden alineados y las partes queden fuera de su lugar. Deje las tuercas levemente flojas hasta que las instrucciones le indiquen ajustarlas.
4. **Herramientas necesarias:** Desarmador Phillips, dos llaves de 9/16" y dos llaves de 7/16" (Puede utilizar una llave ajustable en vez de llaves).

**Por favor NO devuelva este producto a la tienda!**

Contacte el departamento de servicio al cliente de Escalade® Sports:

Teléfono: 1-800-467-1245      ¡Sin costo alguno!

Fax: 1-866-873-3533      ¡Sin costo alguno!

Correo Electronico: [tabletennis@escaladesports.com](mailto:tabletennis@escaladesports.com)

Apartado postal (sólo para correspondencia):

Escalade Sports

PO Box 889

Evansville, IN 47706

Visite nuestra página Web internacional: [www.escaladesports.com](http://www.escaladesports.com)

SOLUCION DE PROBLEMAS POR INTERNET

ASISTENCIA TÉCNICA

PEDIDO DE PARTES POR INTERNET

PREGUNTAS FRECUENTES

MÁS INFORMACIÓN SOBRE PRODUCTOS DE ESCALADE® SPORTS

**ESCALADE®**  
SPORTS


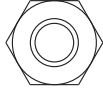
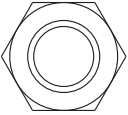

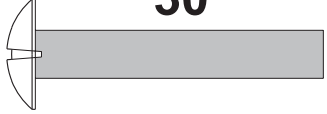

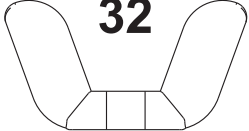


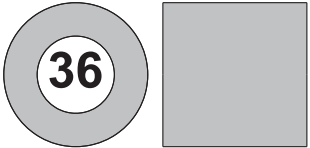

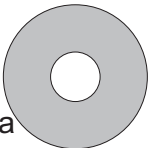
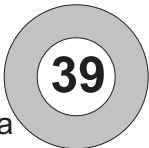
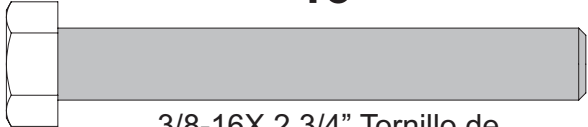



2L-5038-02

Los productos Escalade® Sports se pueden fabricar y/o producir bajo las siguientes patentes.  
6120397, 5816957, 5769744, 5119741, 4911085, 4717157, D460140, D420563

Puede haber patentes en trámite. Una o más patentes mencionadas y/o en trámite pueden cubrir productos específicos.

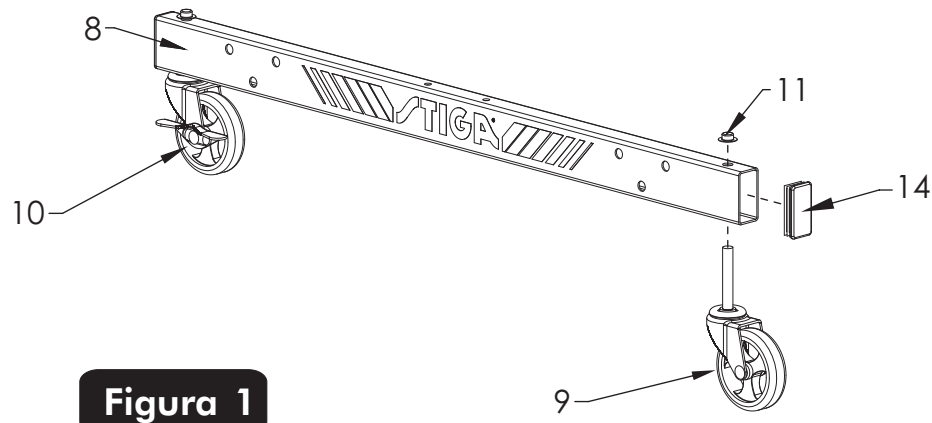
©2010 Escalade®Sports

# IDENTIFICADOR DE TORNILLOS

<p><b>27</b>  3/8-16 x 3 1/2 Tornillo de Cabeza Hexagonal (Cant. 4)</p>	<p><b>34</b>  1/4-20 Tuerca de Seguridad (Cant. 20)</p>			
<p><b>28</b>  3/8-16 Tuerca de Seguridad (Cant. 12)</p>	<p><b>29</b>  1/4-20 X 2 3/4 Tornillo de Cabeza Hexagonal (Cant. 4)</p>	<p><b>30</b>  1/4-20 X 1 1/2 Tornillo Phillips (Cant. 4)</p>		
<p><b>31</b>  1/4-20 X 3 1/4 Tornillo de Carruaje (Cant. 4)</p>	<p><b>32</b>  1/4-20 Tuerca de Mariposa (Cant. 4)</p>	<p><b>5</b>  #8 X 9/16 Tornillo SMS (Cant. 128)</p>		
<p><b>35</b>  #8-32 X 1 1/4 Tornillo para lamina de metal (Cant. 4)</p>	<p><b>36</b>  Separador de 3/4" (Cant. 4)</p>	<p><b>37</b>  Separador de 3/8" (Cant. 4)</p>	<p><b>38</b>  1/4" Rondana de Plastico (Cant. 8)</p>	<p><b>39</b>  3/8" Rondana de Plastico (Cant. 8)</p>
<p><b>13</b>  3/8-16X 2 3/4" Tornillo de Cabeza Hexagonal (Cant. 8)</p>	<p><b>24</b>  1/4-20 X 2 1/2" Tornillo de Cabeza Hexagonal (Cant. 12)</p>	<p><b>11</b>  Contratuerca de 3/8" (Cant. 4)</p>	<p><b>23</b>  Clip en forma de Árbol de Navidad (Cant. 4)</p>	

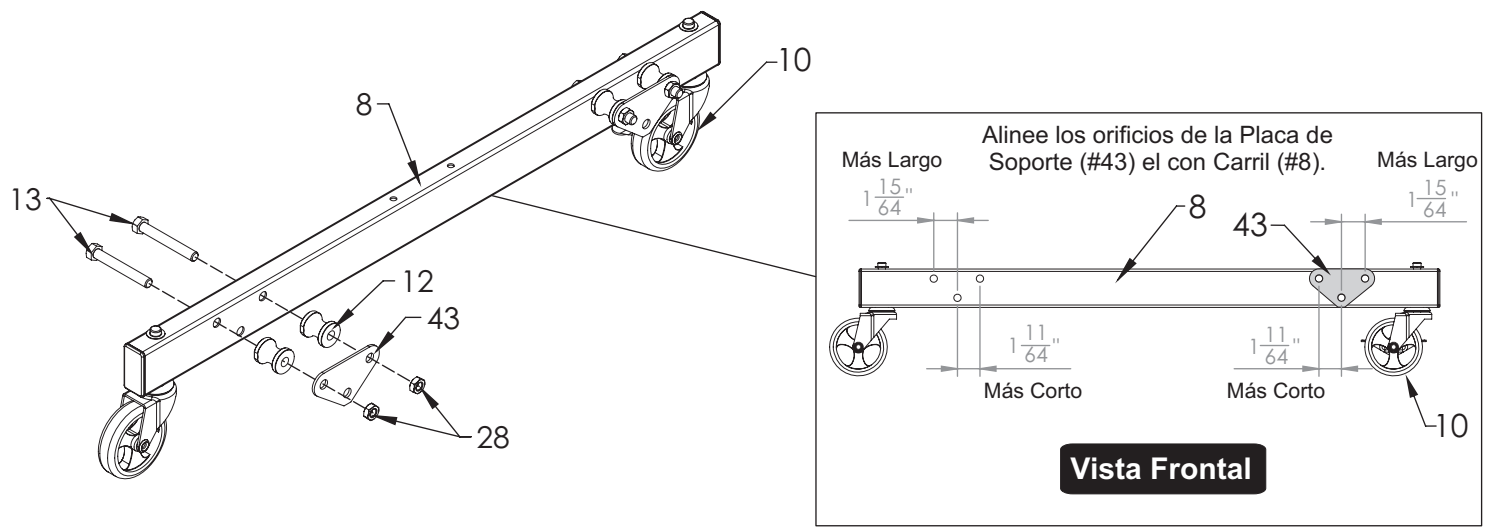


- 1A.** Adjunte las llantas (#9 y #10) a el Carril. Deslice una llanta con seguro (#10) a través de Carril (#8) y asegurela con una Contratuerca (#11) como se muestra en la **Figura 1**. Golpe la Contratuerca (#11) **ligera**mente con un martillo para asegurarla en su lugar. En el otro extremo del carril adjunte una llanta sin seguro (#9). Asegúrese que cada carril tenga una llanta con seguro y una llanta sin seguro. Repita el paso para el segundo Carril.
- 1B.** Inserte los Tapones (#14) al Carril (#8) como se muestra en la **Figura 1**.



**Figura 1**

- 2.** Coloque las placas de soporte (#43) en el Carril (#8) para alinear los orificios, la distancia entre los orificios centrales de los orificios laterales es diferente, vea la **Figura 2** y la **Vista Frontal**. Adjunte los Carretes (#12) y las Placas de Soporte (#43) del lado del Carril sin el logotipo, con los Tornillos (#13) y las Tuercas (#28) **pero no los apriete completamente**. Vea la **Figura 2**. Repita el paso para el segundo Carril.



**Figura 2**

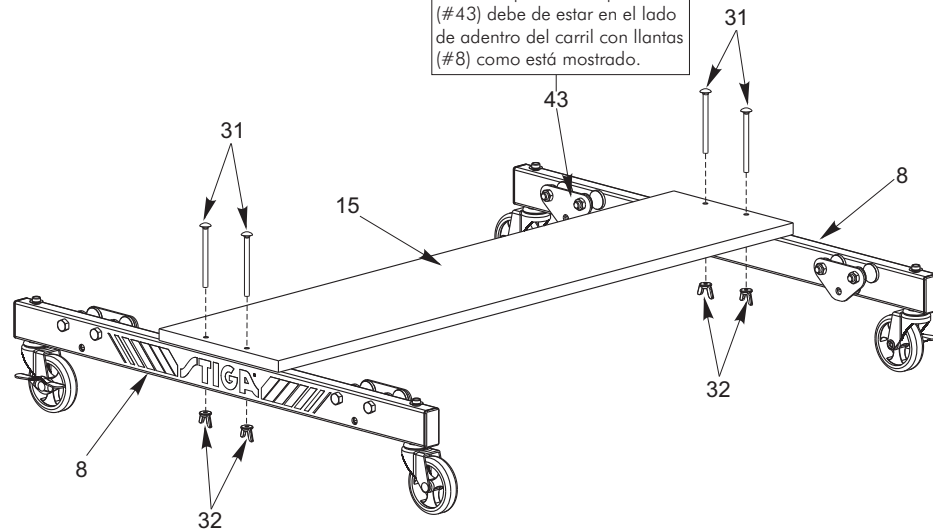


## ADVERTENCIA!

LEA Y SIGA TODAS LAS INSTRUCCIONES DEL ENSAMBLADO, LAS OPERACIONES Y LAS INSTRUCCIONES DE SEGURIDAD. POR LO MENOS SE REQUIERE DE DOS (2) ADULTOS PARA ENSAMBLAR LA MESA!

- Una la Tabla Inferior (#15) a el Carril con Llantas (#8) como esta mostrado en la **Figura 3**. Voltee los Carriles como están ilustrados y una la Tabla Inferior con los cuatro Tornillos de Carruaje (#31) y las cuatro Tuercas de Mariposa (#32). Atornille tuercas asegurándose que estén apretadas y seguras.

**Nota:** La placa de Soporte (#43) debe de estar en el lado de adentro del carril con llantas (#8) como está mostrado.

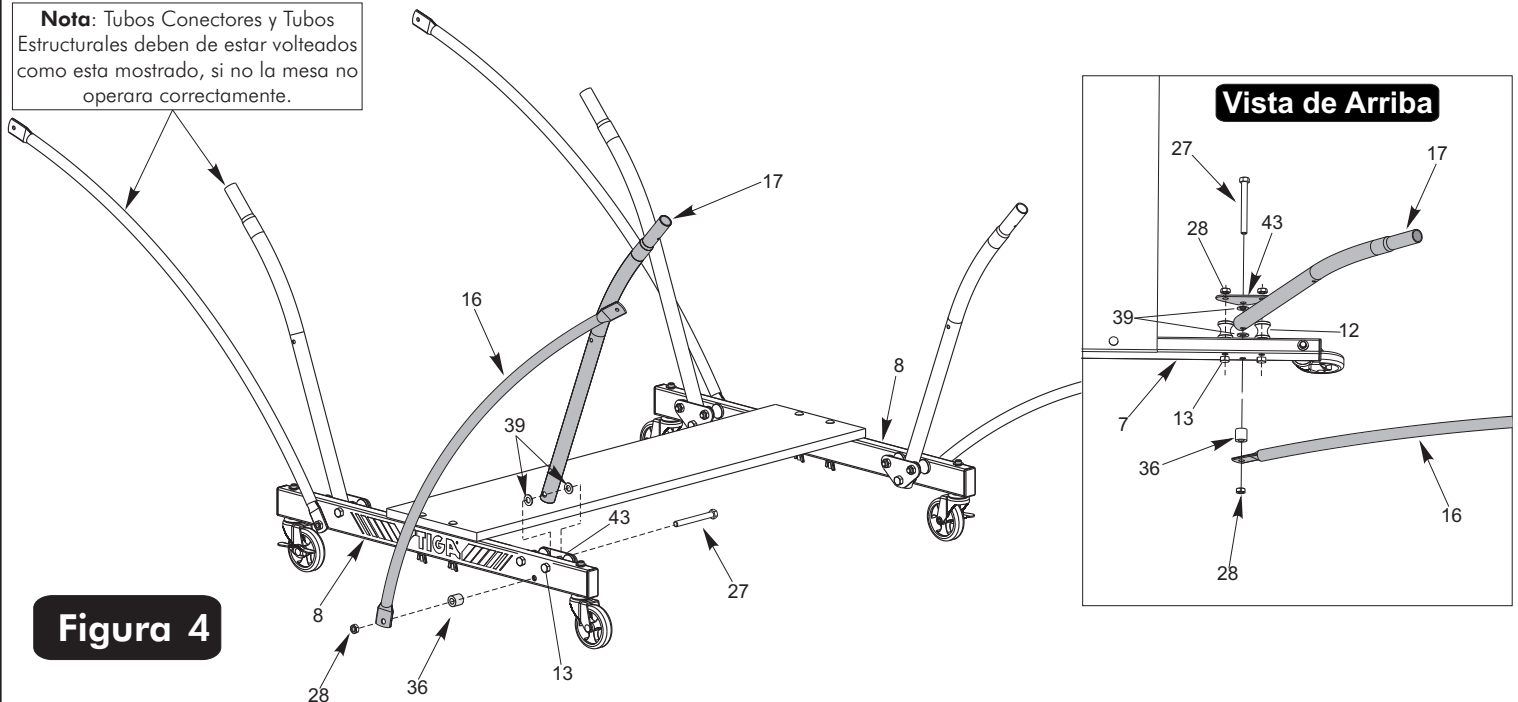


**Figura 3**

- Una los Tubos Estructurales (#17) y los Tubos Conectores (#16) a los Carriles con Llantas (#8) como están mostrados en la **Figura 4**.
  - Si es necesario afloje los Tornillos (#13) y Tuercas (#28) para que el Tubo Estructural (#17) pueda caber entre la Placa de Soporte (#43) y Carril con Llantas (#8) como esta mostrado en la Vista de arriba y la **Figura 4**.
  - Deslice un Tornillo de Cabeza Hexagonal (#27) Placa de Soporte Interior (#43), seguida por una Rondana de Plástico (#39), Tubo Estructural (#17), otra Rondana de Plástico (#39), el Carril con Llantas (#8), Placa de Soporte Exterior (#43) un Separador (#36), Tubo Conector (#16), y Tuerca de Seguridad (#28).
  - Repita en el otro lado del Carril (#8) y en el segundo Carril con Llantas.
  - Apriete Tornillos (#13) y Tuercas (#28) hasta que queden asegurados.
  - Apriete Tuercas (#28) en los Tornillos (#27) hasta que queden asegurados.

**NOTA:** Apriete tuercas hasta que el extremo del tornillo (#27) quede al mismo nivel que el borde de la tuerca.

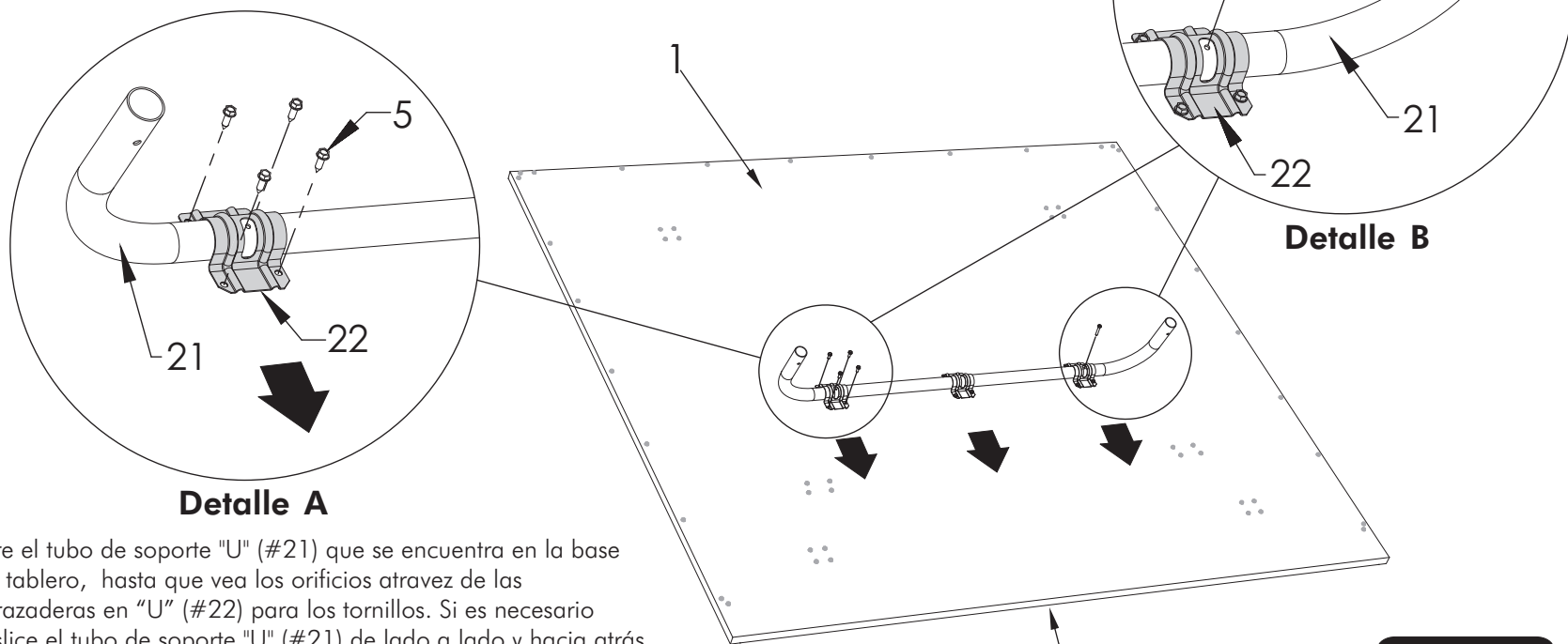
**Nota:** Tubos Conectores y Tubos Estructurales deben de estar volteados como esta mostrado, si no la mesa no operara correctamente.



**Figura 4**

5. Coloque el Tablero (#1) sobre una superficie lisa y plana con el lado pintado hacia abajo. Use la caja para proteger la pintura de la superficie del tablero.
6. Alinee el tubo de soporte "U" (#21) sobre el Tablero (#1) como se muestra en la **Figura 5**.
7. Alinee los cuatro orificios en cada abrazadera en "U" (#22) con los cuatro orificios en el tablero. Asegúrese de que la ranura de las abrazaderas en "U" (#22) apunten en la misma dirección hacia el extremo del tablero sin raya y sin orificios. Asegure las abrazaderas en "U" (#22) con los Tornillos (#5) como muestra en la **Figura 5** y en el **Detalle A**.

**Nota:** Los cuatro orificios en el la abrazadera en U (#22) deben de estar alineados con los cuatro orificios en el Tablero. Vea el **Detalle A**.



**ADVERTENCIA:**  
 CUANDO ENSAMBLE LA MESA, ES EXTREMADAMENTE IMPORTANTE QUE TODAS LAS ABRAZADERAS EN "U" (#22) ESTÉN PUESTAS COMO ESTÁN MOSTRADAS EN LA FIGURA DE ABAJO. SI LAS ABRAZADERAS EN "U" ESTÁN COLOCADAS INCORRECTAMENTE, USTED LE OCASIONARA DAÑOS IRREPARABLES A SU MESA CUANDO TRATE DE ABRIRLA EN LA POSICIÓN DE JUEGO.

8. Gire el tubo de soporte "U" (#21) que se encuentra en la base del tablero, hasta que vea los orificios atravez de las abrazaderas en "U" (#22) para los tornillos. Si es necesario deslice el tubo de soporte "U" (#21) de lado a lado y hacia atrás y adelante para ver los orificios. Ver la **Figura 5** y el **Detalle B**.
9. Inserte el tornillo (#35) por la ranura de la abrazadera en "U" (#22) y dentro del tubo de soporte "U" (#21). Vea la **Figura 5** y el **Detalle B**. Atornillelo hasta que toque el fondo del tubo de soporte. El tornillo (#35) quedará afuera acerca de 3/8". Repetir para el segundo tornillo (#35) y la abrazadera en "U" (#22).

**Nota:** Para facilitar el ensamblado se puede utilizar un taladro inalámbrico y una broca Phillips **únicamente para el paso 9**. Use anteojos de seguridad.

**Note:** Extremo sin raya y sin orificios de guía.

**Figura 5**

10. Ensamble las partes a la base del tablero con los Tornillos (#5) como se muestra en la **Figura 6, Detalle C y Detalle D.**

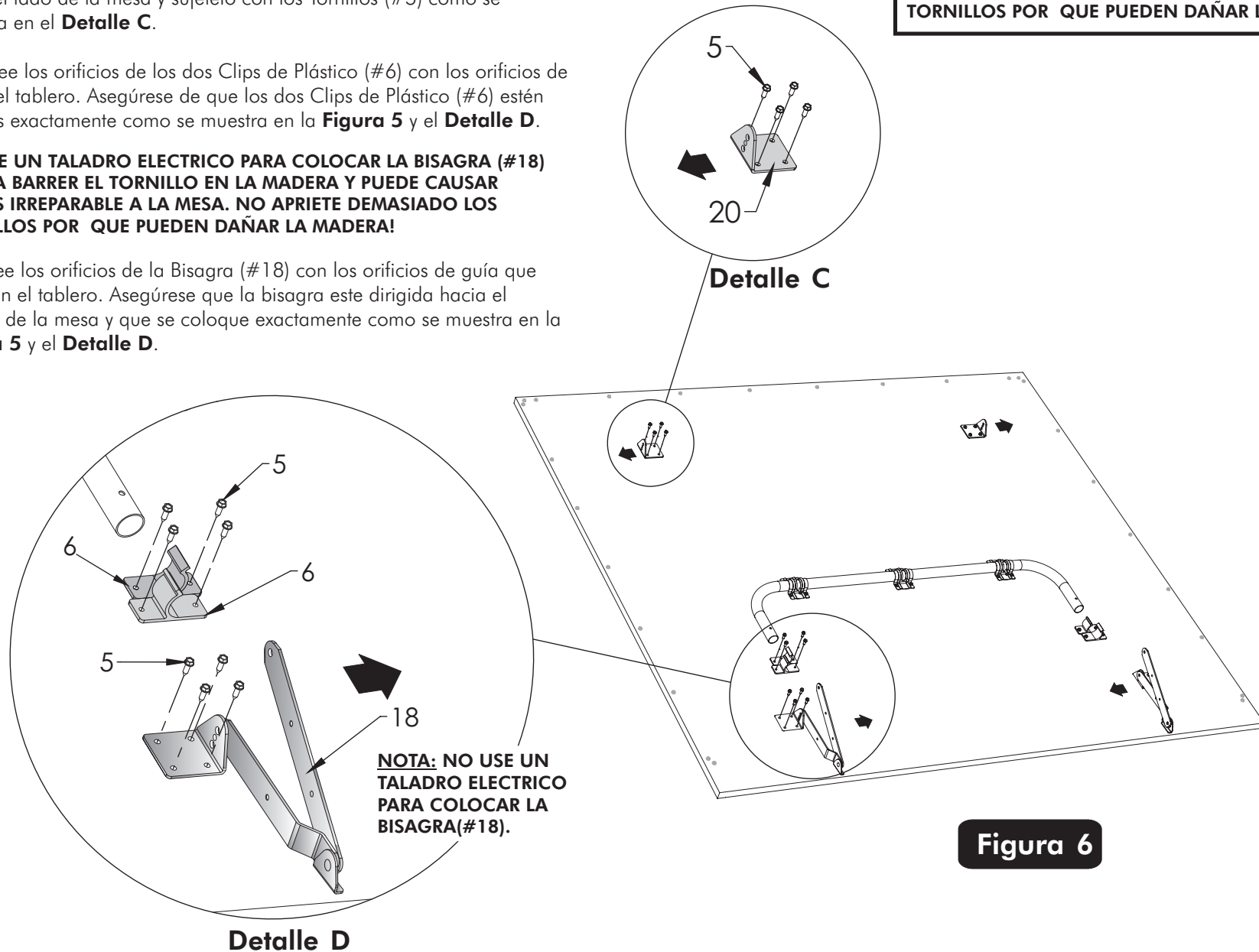
a) Alinee los orificios del Soporte de Montaje de la Pata (#20) con los orificios del tablero. Asegúrese que el soporte de montaje quede dirigido hacia el lado de la mesa y sujételo con los Tornillos (#5) como se muestra en el **Detalle C.**

b) Alinee los orificios de los dos Clips de Plástico (#6) con los orificios de guía del tablero. Asegúrese de que los dos Clips de Plástico (#6) estén puestos exactamente como se muestra en la **Figura 5 y el Detalle D.**

**NO USE UN TALADRO ELECTRICO PARA COLOCAR LA BISAGRA (#18) PODRÍA BARRER EL TORNILLO EN LA MADERA Y PUEDE CAUSAR DAÑOS IRREPARABLE A LA MESA. NO APRIETE DEMASIADO LOS TORNILLOS POR QUE PUEDEN DAÑAR LA MADERA!**

c) Alinee los orificios de la Bisagra (#18) con los orificios de guía que están en el tablero. Asegúrese que la bisagra este dirigida hacia el interior de la mesa y que se coloque exactamente como se muestra en la **Figura 5 y el Detalle D.**

**! WARNING:**  
**NO USE UN TALADRO ELECTRICO PARA COLOCAR LA BISAGRA (#18) PODRÍA BARRER EL TORNILLO EN LA MADERA Y PUEDE CAUSAR DAÑOS IRREPARABLE A LA MESA. NO APRIETE DEMASIADO LOS TORNILLOS POR QUE PUEDEN DAÑAR LA MADERA!**



**NOTA: NO USE UN TALADRO ELECTRICO PARA COLOCAR LA BISAGRA (#18).**

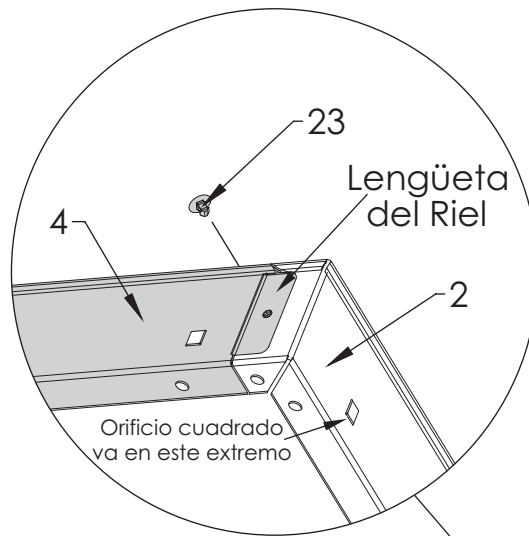
**Figura 6**

11. Coloque los Rieles (#2, 3 y 4) en los bordes del tablero. Vea la **Figura 7**.

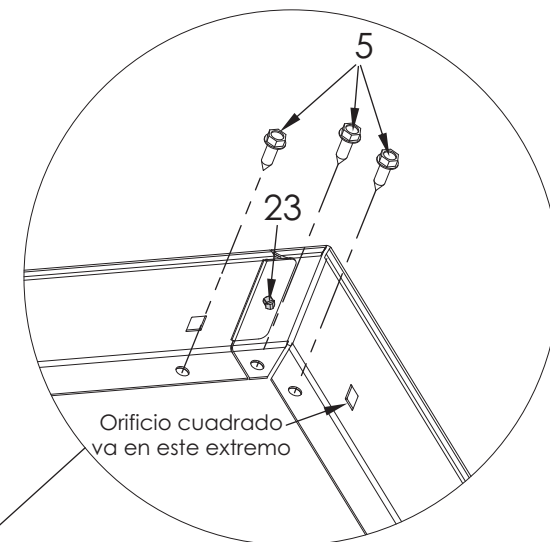
**Nota:** Asegúrese de que los orificios cuadrados en los rieles laterales (#2 y #3) se encuentran como se muestra en la **Figura 7**, en el **Detalle E** & **F**.

12. Alinee los Rieles (#4) con el Riel (#2). Asegúrese de que la lengüeta del Riel (#4) esté en el interior del Riel (#2). Asegure los Rieles (#2) y (#4) con un Clip de árbol de navidad (#23) dentro de ambos rieles, como se muestra en el **Detalle E**. Repita para los Rieles (#3) y (#4).

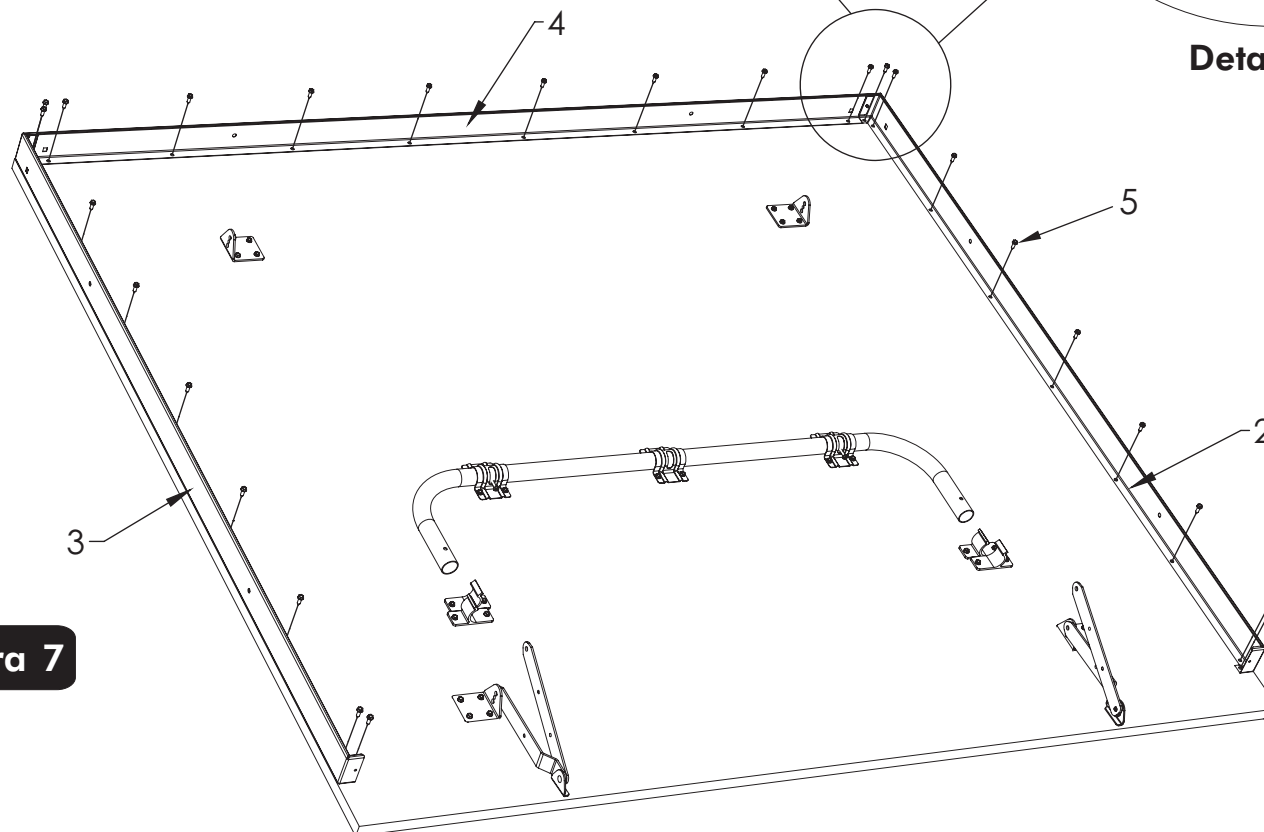
13. Alinee los orificios de los rieles con los orificios de guía de la base del tablero y asegúrelos utilizando los Tornillos (#5). Ver la **Figura 7** y el **Detalle F**.



**Detalle E**

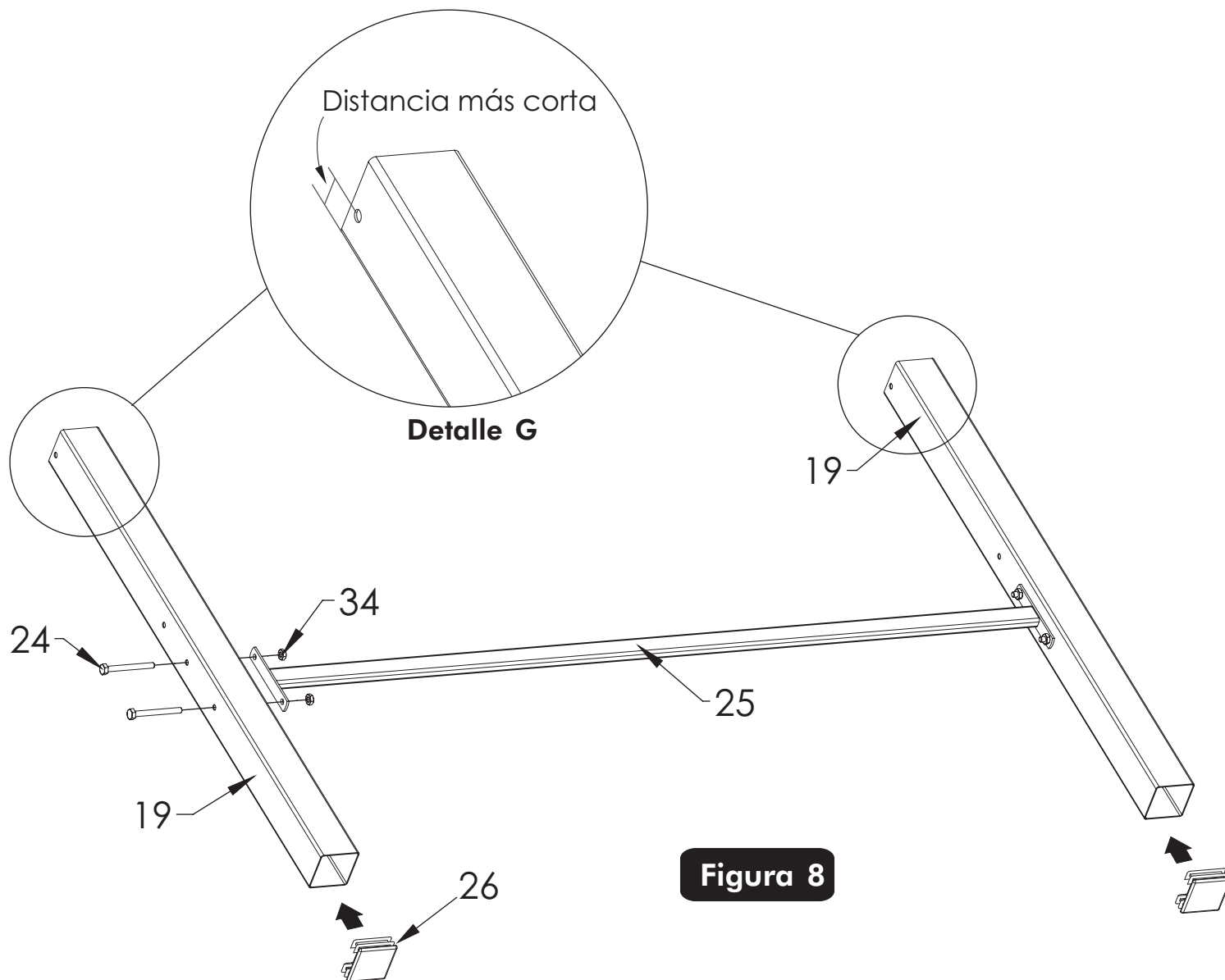


**Detalle F**



**Figura 7**

14. Ensamble el Tubo Horizontal (#25) a las Patas (#19) con los Tornillos (#24) y las Tuercas (#34) como se muestra en la **Figura 8**. Este seguro de que los orificios de la Pata (#19) coinciden entre sí, como se muestra en el **Detalle G**.
15. Coloque los Tapones (#26) a la parte inferior de las patas (#19) como muestra en la **Figura 8**.



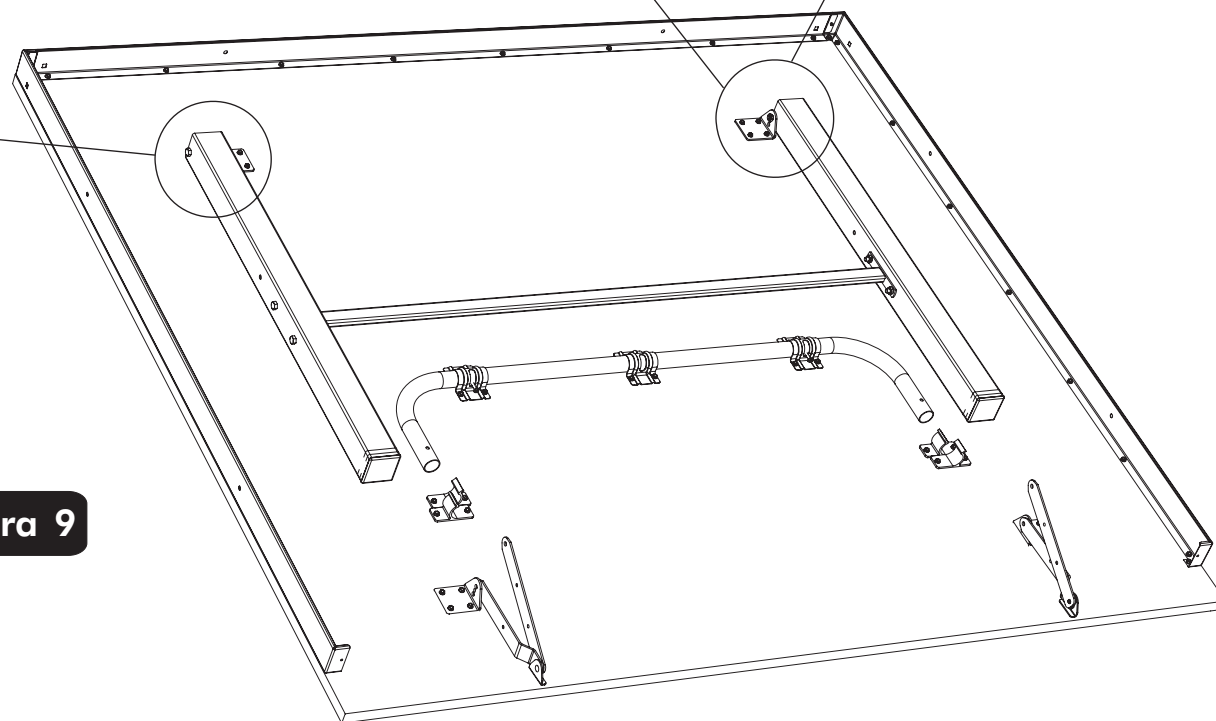
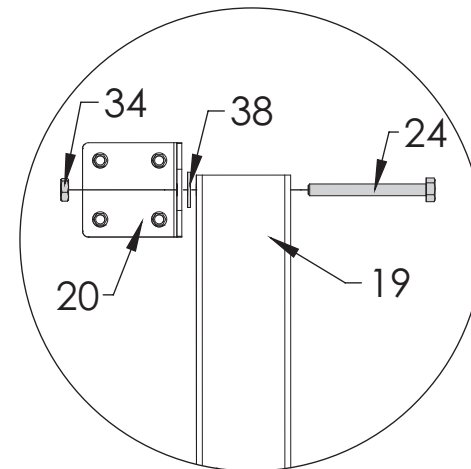
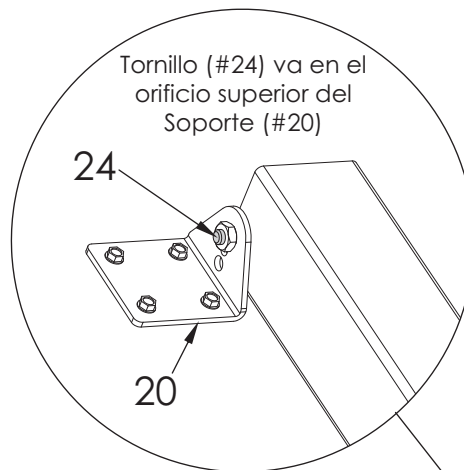
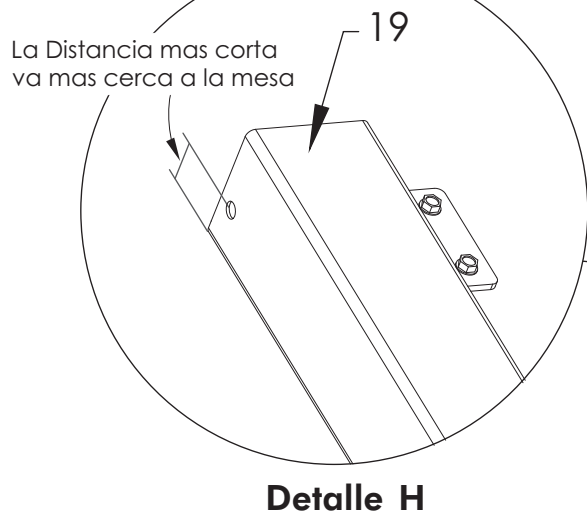
**Figura 8**

**16.** Coloque la pata ensamblada (del paso anterior) en el tablero.  
Asegúrese que los orificios de la Pata (#19) están más cerca a la mesa. Vea la **Figura 9** y el **Detalle H**.

**17.** Adjunte la pata ensamblada (del paso anterior) en el soporte (#20) con el tornillo hexagonal (#24), la Rondana de Plástico (#38) y la Tuerca (#34) como se muestra en el **Detalle I**, y el **Detalle J**. Apriete las Tuercas (#34) completamente pero no sobre apriete por que puede dañar la Pata (#19).

**NOTA:** Prepare una área para el ensamblado de la Segunda mitad de la mesa. Si es necesario mueva el primer tablero a un lado con la ayuda de otra persona. Asegúrese de ponerlo en un lugar donde no estorbe y no se dañe. Y si se coloca de lado, asegúrese de poner el borde inferior a no menos de 12 pulgadas de distancia de la pared. También esté seguro de poner un pedazo de alfombra o la caja de la mesa abajo de los bordes de la mesa para protegerlos. Si el piso no está alfombrado ponga un objeto pesado sosteniendo la mesa para que no se resbale.

**18.** Repita los pasos del 10 al 17 para completar el segundo ensamblado del tablero



**Figura 9**

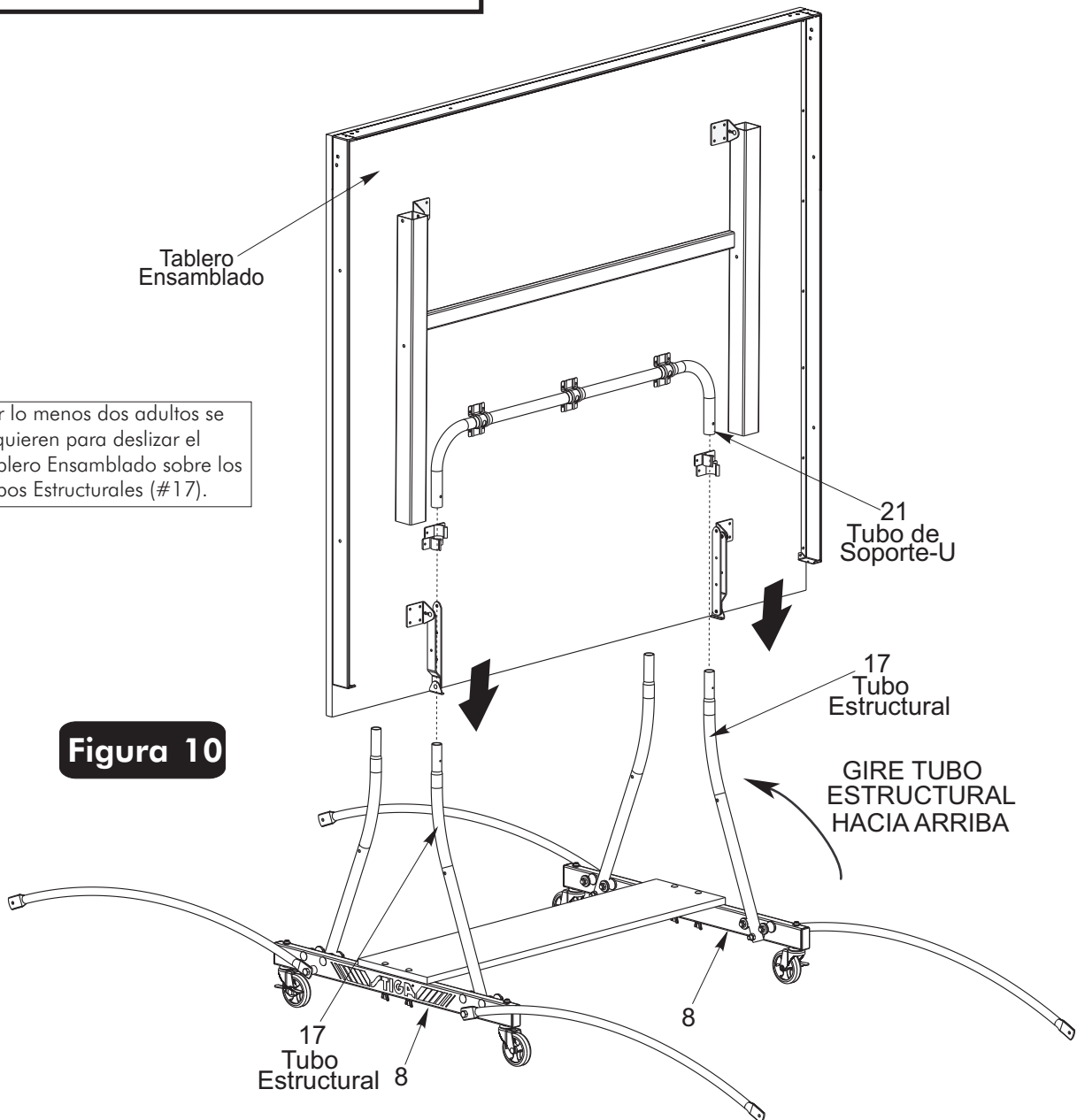
19. Una el Tablero Ensamblado a la base, como lo muestra en la **Figura 10**. Mueva los Tubos Estructurales (#17) hacia arriba como esta mostrado; después con por lo menos un adulto en cada lado de la mesa, levante y alinee las orillas del Tubo de Soporte-U (#21) e insertelos en las puntas de los Tubos Estructurales (#17) en los Carriles con Llantas (#8) como están mostrados en la **Figura 10**. Deslice los Tubos juntos.

## **! ADVERTENCIA!**

**POR LO MENOS SE REQUIEREN DOS (2) ADULTOS PARA TERMINAR EL RESTO DEL ENSAMBLADO! CUANDO ENSAMBLE LOS TABLEROS A LA BASE, MUEVA EL TABLERO SOSTENIENDOLO ÚNICAMENTE DE LA PARTE POSTERIOR, NO SE DETENGA DE LAS PATAS DE METAL, DEL TUBO DE SOPORTE-U, DE LOS TUBOS CONECTORES Ó DE LAS BISAGRAS. ESTAS PARTES PUEDEN MOVERSE Y PODRÍAN LASTIMAR LOS DEDOS O LAS MANOS, CAUSANDO LESIONES GRAVES. POR FAVOR ENSAMBLE LA MESA COMO SE MUESTRA, CON LAS PATAS COMPLETAMENTE CERRADAS Y EL TABLERO EN POSICIÓN VERTICAL. NO ABRA LAS PATAS Y TRATE DE ENSAMBLARLAS. LOS TABLEROS ESTÁN MUY PESADOS-NO INTENTE ENSAMBLAR (ARMAR) LA MESA SÓLO!**

## **! ADVERTENCIA!**

**¡NO ABRA LA MESA EN LA POSICIÓN DE JUEGO, HASTA QUE AMBAS MITADES DE LA MESA ESTÉN INSTALADAS! NO DEJE LA MESA LEVANTADA SOLA. PODRÍA CAERSE SOBRE ALGUIEN CAUSANDO HERIDAS SERIAS Ó DAÑO DE PROPIEDAD.**





20. Atornille el Tubo del Soporte-U (#21) a los Tubos Estructurales (#17) con los dos Tornillos (#5) como está mostrado en **Figura 11**. Alinee los hoyos de los tubos de Soporte-U con los Tubos Estructurales e inserte los Tornillos (#5) en los orificios de los Tubos Estructurales (#17). Apriete los tornillos totalmente pero tenga cuidado de que no queden sobre apretados ya que podría barrer la cuerda de los tornillos si los sobre aprieta.

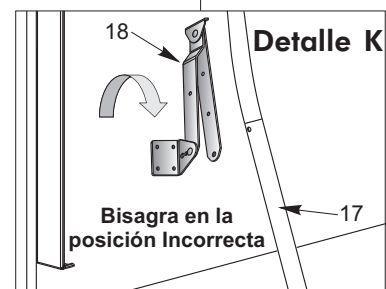
**Nota:** Si la Bisagra (#18) esta colocada como se muestra en **Detalle K**, usted tendrá que girar la bisagra a la posición que se muestra en **Detalle L**. **NO** desatornille la bisagra, usted puede girar la bisagra sin desatornillarla de la mesa.

Si desea ver un vídeo para ver la posición de Bisagra (#18) vaya a: <http://www.escaladesports.com/customer-service/videos.html>

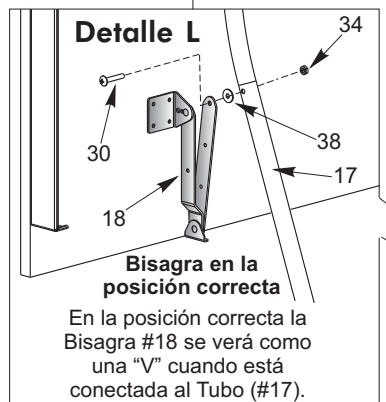
21. Una las Bisagras (#18) a los Tubos Estructurales (#17) como están mostrados en la **Figura 11** & **Detalle L**. Coloque la bisagra en la misma posición como está mostrada; alinee el hoyo de la bisagra con el hoyo del Tubo Estructural y unalo con el Tornillo 1/4" (#30), la Rondana de Plástico (#38) y la Tuerca de Seguridad (#34). La Rondana de Plástico (#38) va entre el Tubo Estructural y la Bisagra. Asegurese que la tuerca esté apretada y segura. Repita el mismo procedimiento para la otra bisagra.

**ADVERTENCIA:** Las bisagras deben ir exactamente en la misma posición como están mostradas ó la mesa no operará correctamente y puede ser dañada.

**ADVERTENCIA:** Si la bisagra esta colocada como esta mostrada en el **Detalle K**, gire la bisagra como esta mostrada en el **Detalle L**. No la desatornille de la mesa.



**PRECAUCIÓN:** Las Bisagras deben de ser colocadas exactamente como están mostradas en el **Detalle L** ó la mesa no trabajará correctamente y puede ser dañada.

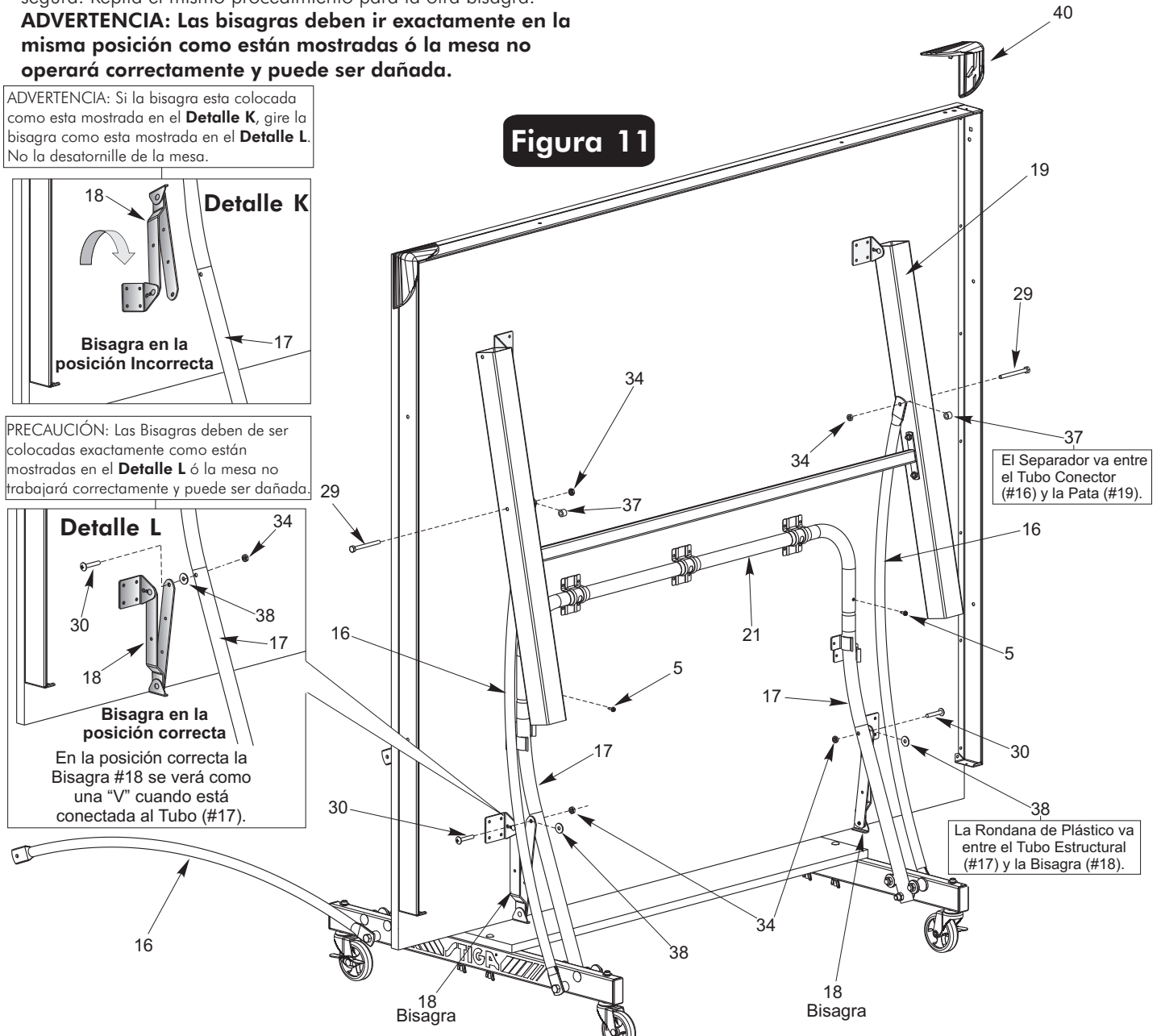


22. Una el Tubo Conector (#16) a la Pata (#19) como está mostrado en la **Figura 11**. Gire la Pata (#19) hacia fuera de la mesa y gire los Tubos Conectores (#16) hacia arriba y alinee los hoyos de los Tubos Conectores con el hoyo en la Pata (#19). Una el Tubo Conector (#16) a la Pata (#19) usando el Tornillo de Cabeza Hexagonal (#29), el Separador (#37) y la Tuerca de Seguridad (#34). Los Separadores (#37) van entre el Tubo Conector y la Pata. Una el otro Tubo Conector a la Pata de la misma manera. Asegúrese que las tuercas estén apretadas y seguras.

23. Adhiera los Protectores de la Esquina (#40) a las esquinas de la mesa. Presione las lengüetas dentro de los hoyos de los protectores de las esquinas en los rieles. **Esté seguro que las lengüetas estén bien alineadas con los hoyos antes de empujarlos.** Ya que se podrían romper las lengüetas si no están alineados correctamente.

24. **Por lo menos dos adultos se requieren** para repetir los pasos 19 al 23 para el ensamblado de la otra mitad de la mesa.

**Figura 11**



# INSTRUCCIONES PARA ABRIR Y CERRAR

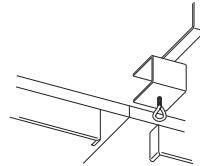


## ⚠ ADVERTENCIA!

PONGA ATENCIÓN AL ABRIR Y AL CERRAR LA MESA. MENORES DE EDAD QUE NO SABEN EL USO APROPIADO DE LAS INSTRUCCIONES NO SE LES DEBE PERMITIR ABRIR Y CERRAR LA MESA. EL MANEJO O USO INCORRECTO DE LA MESA PUEDE CAUSAR LESIONES GRAVES O DAÑOS MATERIALES. NO DEBEN DE PARARSE, SUBIRSE O BRINCAR SOBRE LA MESA. LA HUMEDAD Y LA CONDENSACIÓN DAÑARÍAN LA SUPERFICIE DE LA MESA. LA MESA DEBE ESTAR EN EL INTERIOR Y EN UN LUGAR SECO.

### PARA ABRIR:

1. Sostenga la orilla de arriba. Suavemente jale hacia afuera hasta la posición media. Continúe jalando hasta que se desenganche de el clip de plástico y las patas se apoyen sobre el piso. No dejar la mesa parcialmente abierta en la posición media. Ver Figura 12A y 6B.
2. Baje el segundo tablero como se describe en el paso 1.
3. Asegure las cuatro bisagras. Ver Figura 13.
4. Asegure los postes al centro de la mesa y deslice la red sobre ellos. Ver Figura 14.

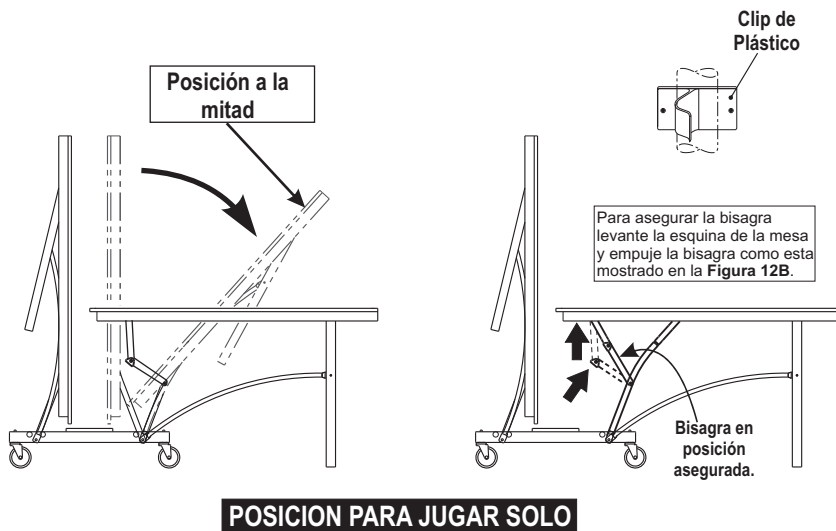


**Figura 14**

**NOTA:** La red debe estar tensa. Estirar bien. Esto asegurará la tensión correcta.

### PARA CERRAR:

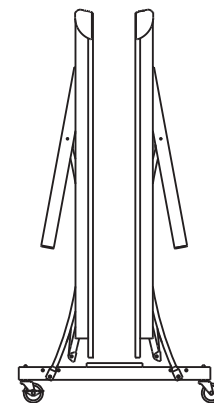
1. Retire la red y los postes de la mesa.
2. Desenganche las cuatro bisagras.
3. Levantar una mitad del tablero al punto medio hasta que se enganchen los clips de plástico. Continúe levantando hasta cerrar.
4. Levante la otra mitad del tablero de la misma manera. Ver Figura 15.



**POSICION PARA JUGAR SOLO**

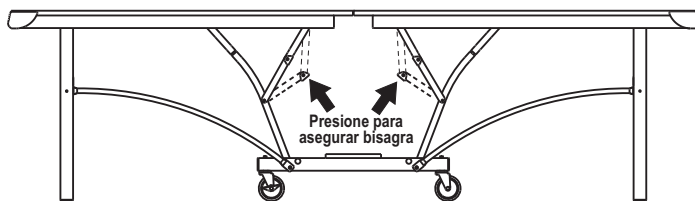
**Figura 12A**

**Figura 12B**



**Figura 15**

**POSICION PARA GUARDAR**

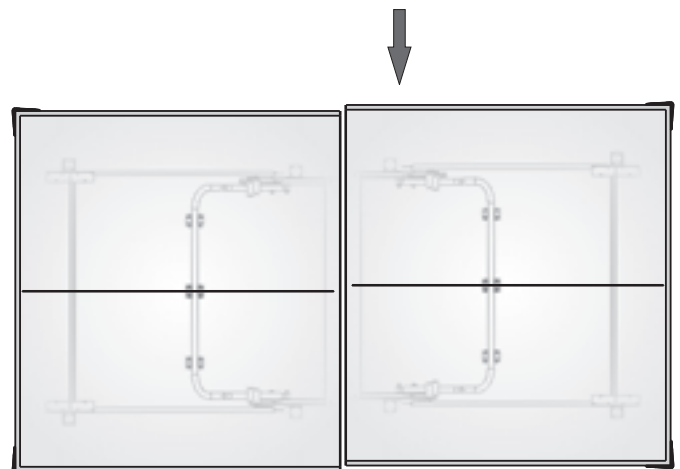


**POSICION DE JUEGO**

**Figura 13**

SI LA MESA NO ESTA ALINEADA CORRECTAMENTE: (ver Figura 16)

1. Ponga la mesa en posición para de juego y asegure las bisagras como se muestra en la Figura 13.
2. Afloje las tuercas de mariposa (#32) adjuntas a los Tornillos (#31) con el fin de crear suficiente espacio para alinear las dos mitades de la mesa. Ver Figura 3 (Pg.4).
3. Con la ayuda de otros dos adultos, empuje las dos mitades de la mesa hasta que estén alineadas las dos mitades y volver a apretar las tuercas con alas (#32) como se muestra en la Figura 16.



**Figura 16**

**VISTA DE ARRIBA**

## GARANTÍA LIMITADA POR UN AÑO

Esta garantía es aplicable para consumidores de la compra original de cualquier producto ESCALADE® SPORTS (en adelante denominado el "Producto").

**DURACIÓN DE LA GARANTÍA:** Se garantiza este Producto al comprador original por un período de un (1) año a partir de la fecha de compra.

**COBERTURA DE LA GARANTÍA:** ESCALADE SPORTS le garantiza al comprador original que cualquier producto de su fabricación está libre de defectos en los materiales y fabricación cuando se lo utiliza para el propósito establecido, bajo condiciones normales de uso. ESTA GARANTÍA NO TIENE VALIDEZ SI EL PRODUCTO SE HA DETERIORADO POR ACCIDENTE, USO INDEBIDO, NEGLIGENCIA, MANTENIMIENTO INCORRECTO, NO SEGUIR LAS INSTRUCCIONES QUE VIENEN CON EL PRODUCTO U OTRAS CAUSAS NO RELACIONADAS CON DEFECTOS EN LOS MATERIALES O FABRICACIÓN.

**APLICACIÓN DE LA GARANTÍA:** Durante el período de garantía de un (1) año, ESCALADE SPORTS reparará o reemplazará con otro similar, todo modelo o Producto o componente que resulte defectuoso bajo condiciones normales de uso y cuidado, cuando nuestra inspección demuestre que a nuestra satisfacción el mismo realmente es defectuoso; sírvase contactar a nuestro Departamento de Garantía.

1-866-873-3528 / Departamento de Garantía (Warranty Dept.)

○ escribanos a:

Escalade® Sports, Inc. - P.O. Box 889, Evansville, IN 47706 - Attn: Warranty Dept.

○ por correo electrónico a:

tabletennis@escaladesports.com

Fuera de los gastos de envío, no se impondrá cargo alguno por la reparación o reemplazo de los productos en garantía. ESCALADE® SPORTS recomienda asegurar los Productos por su valor antes del envío.

**LIMITACIÓN DE LA GARANTÍA:** TODA GARANTÍA ORIGINADA EN ESTA VENTA, INCLUYENDO EN FORMA NO TAXATIVA, LAS GARANTÍAS IMPLÍCITAS DE COMERCIALIZACIÓN Y APTITUD PARA UN FIN ESPECÍFICO, TENDRÁ VIGENCIA POR UN PLAZO DE UN (1) AÑO. ESCALADE® SPORTS NO SERÁ RESPONSABLE POR LA IMPOSIBILIDAD DE UTILIZAR EL PRODUCTO U OTROS COSTOS INCIDENTALES O RELACIONADOS, PERJUICIOS O PERDIDAS GENERADAS POR EL CONSUMIDOR ANTE CUALQUIER OTRO USO.

Algunos estados no permiten la exclusión o limitación de las garantías implícitas o daños incidentales o conexos, de modo que las limitaciones que anteceden pueden no ser aplicables en su caso.

**RECURSOS LEGALES:** Esta garantía le otorga algunos derechos específicos además de otros derechos que varían según el estado.

## CUIDADO Y MANTENIMIENTO

Ud. ha comprado un producto de calidad que podrá disfrutar muchos años. Si sigue estos simples pasos de mantenimiento, alargará la vida de la mesa.

### TABLERO

El tablero (superficie de juego) está construido de aglomerado. Al igual que todos los productos de madera, se puede ver afectado por cambios de temperatura y humedad causando una leve deformación por expansión o contracción. Esta situación es normal y no resta valor a la mesa ni afecta el juego. Después de armada, guardar plegada en lugar seco cuando no está en uso para minimizar los efectos de cambios de temperatura y humedad.

### GUARDADO DE LA MESA

Se debe guardar la mesa en el interior para prevenir daños en la superficie de juego. La humedad y los cambios bruscos de temperatura pueden provocar alabeo, hinchazón, fisuras o ampollado de la madera. Cuando la mesa no se encuentra en uso, guardar plegada en lugar seco. Debido a la naturaleza del aglomerado, se puede alabeo la superficie. La humedad puede aumentar este efecto que es normal y no afecta el uso de la mesa.

### LIMPIEZA

Para limpiar la mesa, utilizar un trapo suave y húmedo solamente (NO MOJADO). Para evitar daños en la superficie de juego, NO UTILIZAR AGENTES QUÍMICOS, ABRASIVOS NI PRODUCTOS DE LIMPIEZA sobre el tablero.

### MANTENIMIENTO

Lubricar todas las partes móviles, incluyendo los puntos de giro. Esto garantizará la seguridad y facilidad de uso.

Guardar en lugar cerrado para impedir daños en la superficie de juego. La humedad y los cambios bruscos de temperatura que se producen en patios o áreas similares pueden provocar el alabeo, hinchazón, fisuras o ampollado de la madera.

### PISOS DESNIVELADOS

Si la mesa no parece estar nivelada, probablemente se deba a pisos desparejos o desnivelados. Colocar la mesa en POSICIÓN DE JUEGO y moverla algunas pulgadas en distintas direcciones hasta encontrar una mejor ubicación. Si el piso está extremadamente desnivelado, no se puede utilizar la mesa adecuadamente. Si el tablero está más alto en el medio, suplementar con una cuña las patas exteriores.

## Lista de partes reemplazables para el modelo T8731

# de Ref.	# de Parte	Descripción	Cant.
1	4A-5470-00	3/4" TABLERO AZUL (SIN ENSAMBLAR)	2
2	2S-9108-02	RIEL MANO DERECHA	2
3	2S-9109-02	RIEL MANO IZQUIERDA	2
4	2S-9107-01	RIEL DEL EXTREMO	2
5	1B-4082-99	#8 X 9/16 TORNILLO PARA LAMINA DE METAL	128
6	3M-6273-00	CLIP DE PLÁSTICO	8
7		NUMERO NO USADO	
8	8S-6841-02	CARRIL DE LLANTAS (SOLAMENTE)	2
9	2Q-4017-00	LLANTA DE 3" - SIN SEGURO	2
10	2Q-4018-00	LLANTA DE 3" - CON SEGURO	2
11	2B-4043-00	3/8" CONTRATUERCA	4
12	3M-6884-00	CARRETE	8
13	1B-6195-00	3/8-16 X 2 3/4 - TORNILLO DE CARRUAJE	8
14	3M-6274-00	TAPÓN - 1" X 2"	4
15	2W-6258-03	TABLA INFERIOR	1
16	8S-6842-02	TUBO CONECTOR	4
17	8S-6850-05	TUBO ESTRUCTURAL	4
18	4A-5423-02	BISAGRA (CON SOPORTE DE MONTAJE)	4
19	8S-6866-01	PATA - AZUL	4
20	2S-4597-01	SOPORTE DE MONTAJE (SOLAMENTE)	8
21	8S-6851-01	TUBO DE SOPORTE-U	2
22	2S-6879-10	1" ABRAZADERA-U	6
23	3M-5025-00	CLIP EN FORMA DE ÁRBOL DE NAVIDAD	4
24	1B-4137-00	1/4-20 x 2 1/2 TORNILLO HEXAGONAL	12
25	1A-6341-01	TUBO HORIZONTAL	4
26	3M-6248-00	TAPÓN CUADRADO - 2"	4
27	1B-6495-00	3/8-16 x 3 1/2 TORNILLO HEXAGONAL	4
28	2B-4053-00	3/8-16 TUERCA DE SEGURIDAD	12
29	1B-4135-00	1/4-20 x 2 3/4 TORNILLO HEXAGONAL	4
30	1B-4097-01	1/4-20 x 1 1/2 TORNILLO PHILLIPS	4
31	1B-6459-00	1/4-20 X 3 1/2 TORNILLO DE CARRUAJE	4
32	1N-0001-00	1/4-20 TUERCA DE MARIPOSA	4
33		NUMERO NO USADO	
34	2B-4047-98	1/4-20 TUERCA DE SEGURIDAD	20
35	1B-4089-00	#8-32 x 1 1/4 TORNILLO PARA LAMINA DE METAL	4
36	7B-4061-00	SEPARADOR DE 3/4	4
37	7B-6161-00	SEPARADOR DE 3/8	4
38	2B-6087-00	1/4" RONDANA DE PLÁSTICO	8
39	2B-4054-00	3/8" RONDANA DE PLÁSTICO	4
40	3M-6715-00	PROTECTOR DE ESQUINAS	4
41	5A-6700-02	66" RED Y POSTES (NO ENSEÑADOS)	1
42	2L-5038-02	MANUAL DEL USUARIO - T8731	1
43	2S-6875-02	PLACA DE SOPORTE	4

2L-5038-02

