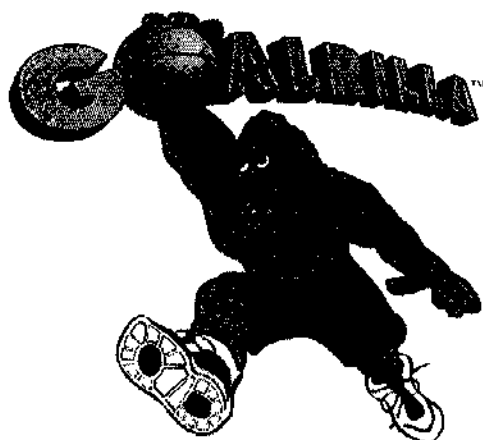


Z “A-line”

ASSEMBLY INSTRUCTIONS

COMPLETE WITH
CARE AND WARRANTY
INFORMATION



BASKETBALL SYSTEMS

*Born in Indiana
and raised by the employees*

~ of ~

Zue Corporation

Home of Goalrilla™ and Goliath™ Basketball Systems
15150 Herriman Blvd. / Noblesville, IN. 46060 / 1 - 888 - USA GOAL

Welcome to the family of GOALRILLA™ owners

In order to have the safest fun and longest use with you Goalrilla™ system, please note and heed the following:

Before you dig!

Call all utility services for location of underground utility lines.

Installation and assembly of your Goalrilla™ goal
is a 2 Part, 5 Day process.

Part 1

- Day 1.** Complete anchor system installation instructions.
- Day 2.** Allow concrete to cure.
- Day 3.** Allow concrete to cure.
- Day 4.** Allow concrete to cure.

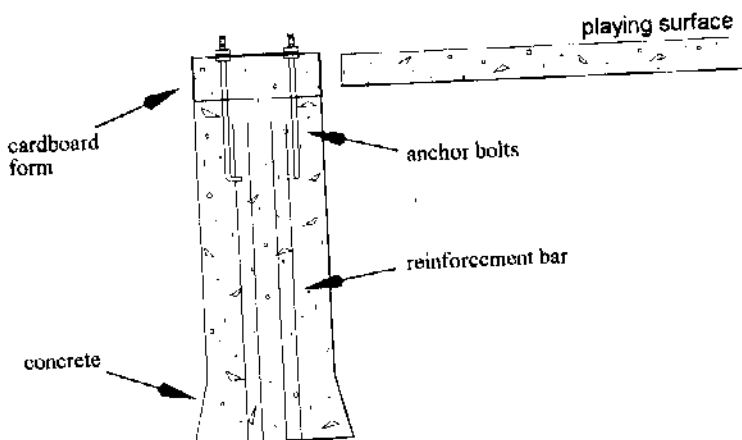
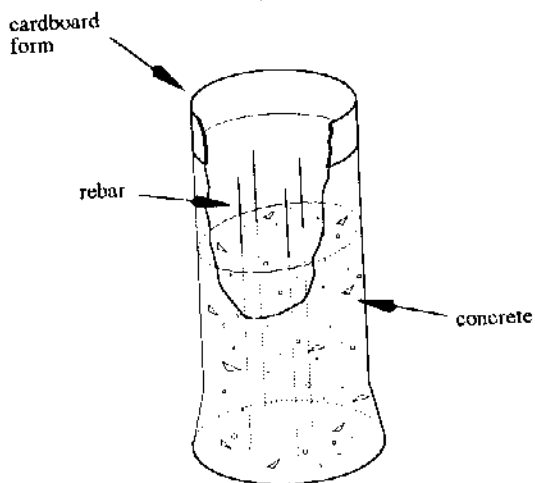
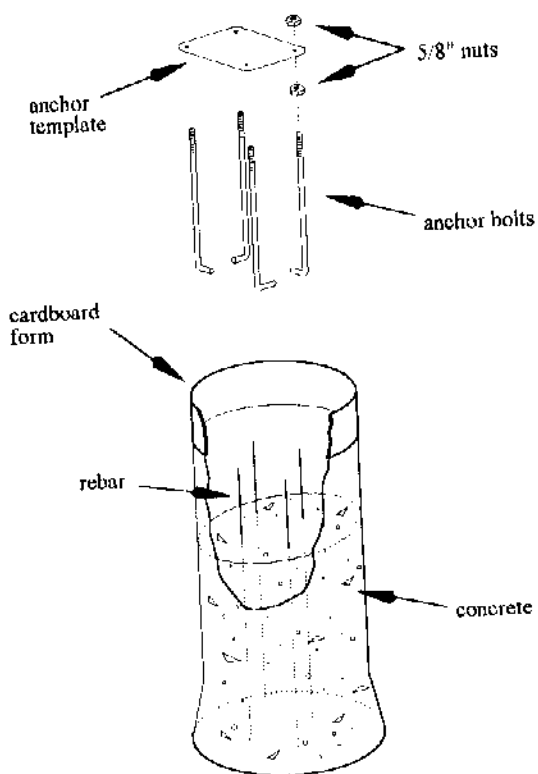
Part 2

- Day 5.** Complete Goalrilla™ assembly instructions.

Safety First!

For safety measures have at least 3 capable persons assist you
in assembly of your Goalrilla™ goal.

Part 1. Day 1.



Anchor System Installation Instructions

Items needed: *supplied in post box.*

- 1 ea. anchor template.
- 1 pk. anchor hardware pack.
- 4 ea. anchor bolts.
- 4 ea. reinforcement bars.

Items needed: *not included.*

- 8 ea. 80 lb. bags of concrete
- 1 ea. post hole digger.
- 1 ea. cardboard form for concrete.
- 1 ea. 15/16" wrench.
- 1 ea. wheel barrow.
- 1 ea. garden hose.

- refer to drawing to assist in assembly -

- STEP 1.** Dig a hole 48" deep and 16" in diameter. Position hole close to playing surface without making contact. Bell out bottom of hole to a diameter of 20". Place cardboard form over hole so that top of form is level with playing surface.
- STEP 2.** Assemble anchor system as follows: Thread 5/8" nut to bottom of threads on anchor bolt. Now insert anchor bolt through anchor template and thread another 5/8" nut on top of anchor template. Tighten. Repeat this step for the remaining anchor bolts. *Each leg of anchor bolt should face the anchor bolt to the right of it.*
- STEP 3.** Start pouring concrete into hole and stop about 18" from top of cardboard form.
- STEP 4.** Place four reinforcement bars 8" apart forming a square in center of hole.
- STEP 5.** Finish pouring concrete into hole leveling it with top of cardboard form.
- STEP 6.** Push anchor system into concrete until anchor template makes contact with concrete. Agitate anchor system before final placement to work out voids in concrete. Immediately use a level to square and level anchor system to playing surface. *The bottom four nuts will forever be embedded in concrete.*
- STEP 7.** Clean off any concrete that may be on the exposed threads of the four anchor bolts.
- STEP 8.** Let concrete set for a minimum of 72 hrs. Wait longer in moist weather conditions.

Part 2. Day 5.

Please read the following notes before you begin.
(Just a few things we have learned through installer feedback)

Note: It is very important for the installer to understand the necessity of the nylon washers provided in the hardware pack. These washers adequately space painted parts at all pivot points. *Neglecting the use of these washers will result in rusted parts.*

Note: **DO NOT over tighten pivot points.** Over tightening pivot points will damage tubing and will make adjustment of system more difficult.
Just remember: Good and snug is sufficient at all pivot points.

- refer to drawing to assist in assembly -

STEP 1. Assemble actuator sleeve onto actuator. Slide sleeve over actuator until holes match up. Insert spacer through holes and center spacer. Now place cap on top of sleeve.

STEP 2. Attach actuator to post. Lay post on its side on two padded saw horses and assemble the following: Insert 1" bolt through 1/2" split washer, 1/2" flat washer, 1/2" nylon washer and actuator. Repeat this step for other side. Tighten both bolts.

STEP 3. Place post cap on top of post.

STEP 4. With post still on its side, attach lower arms. *Make sure Goalrilla™ lettering on lower arms are not upside down.* Align middle holes of lower arm with welded round tube located 21" from top of post. Insert 10" bolt through 1/2" flat washer, 1/2" nylon washer, right lower arm, another nylon, post, another nylon, left lower arm, another nylon, another flat and 1/2" lock nut. *Do not tighten bolt at this time.*

STEP 5. Bolt actuator to lower arms. Insert 10" bolt through 1/2" flat washer, 1/2" nylon washer, right lower arm, another nylon, actuator spacer, another nylon, left lower arm, another nylon, another flat and 1/2" lock nut. Tighten both bolts on lower arms. *Reminder: Do not over tighten pivot points.*

STEP 6. Attach upper arms to post. Align holes on narrow end of upper arms with welded round tubing located 1" from top of post. Insert 10" bolt through 1/2" flat washer, 1/2" nylon washer, right upper arm, another nylon, post, another nylon, left upper arm, another nylon, another flat and 1/2" lock nut. Tighten. *Reminder: Do not over tighten pivot points.*

Note: At this time you are ready to position the post upright onto the anchor system. Be sure the concrete has been allowed to cure for at least 3 days. If so, gather 3 capable persons and have them assist you in positioning post onto anchor system. **CAUTION:** Post may have a tendency to lean due to the awkward balancing act while attempting to stand it up onto the 4 anchor bolts protruding from the concrete.

- STEP 7.** Bolt post to anchor system. Locate remainder of anchor hardware pack and place one 5/8" flat washer onto each anchor bolt. Lift post onto anchor system and assemble the following: 5/8" flat washer, 5/8" split washer, 5/8" nut and anchor bolt cap. Tighten. Repeat this step for the remaining anchor bolts.
- Note:** To ease assembly of backboard in step 8, you will need to lower arm until it makes contact with safety stops located on post. To do this, simply turn handle of actuator. Actuator handle may still be in shipping position. Swing it into operating position before turning.
- STEP 8.** Mount backboard onto lower arm. Insert 4" bolt through backboard, lower arm, 1/2" nylon washer, 1/2" flat washer, 1/2" lock nut. Tighten. *Reminder: Do not over tighten pivot points.*
- STEP 9.** Mount backboard onto upper arm. Insert 4" bolt through backboard, upper arm, 1/2" nylon washer, 1/2" flat washer, 1/2" lock nut. Tighten. *Reminder: Do not over tighten pivot points.*
- STEP 10.** Remove protective backboard covering.
- STEP 11.** Mount rim and rim pad to backboard. Remove rim hardware from hardware bag furnished with rim. Insert hex bolt through flat washer, rim, rim pad, backboard, another flat washer, split washer and hex nut. Finger tighten. Insert remaining bolts using same method. Snug the four nuts, leaving them loose enough to adjust the rim.
- STEP 12.** Level post. Place a level against post on all sides while adjusting the four 5/8" nuts under base of post if necessary.
- STEP 13.** Place a level across rim and adjust rim until it is level. After adjustment, finish tightening all four nuts evenly. Attach rim cover plate using small screws found in hardware bag furnished with rim. **NEVER USE THE RIM WITH THE COVER PLATE REMOVED.**
- STEP 14.** Place height decal onto actuator. Raise goal to ten feet measuring from top of rim to playing surface. Using a pencil, place a mark on the actuator right below the actuator sleeve. Lower goal back down to seven feet. Prepare height decal by pulling off backing and exposing adhesive. While maintaining decal in a vertical position, line up 10 foot mark on decal with mark you made on actuator and carefully adhere decal to actuator. Take protective coating off face of decal.
- STEP 15.** Use post lock to secure goal height adjustment.

CONGRATULATIONS !

You have just completed assembly of the finest residential basketball system in the country.

**For warranty issues, installation
questions, replacement parts or
accessories,
call
Zue Corporation
1-888-USA GOAL**

GOALRILLA™ ACCESSORIES

Item	Cost	Shipping
Med. weight flex rim (Z only)	\$99.00	\$13.00
Heavy weight flex rim	\$129.00	\$13.00
Professional breakaway rim	\$199.00	\$14.00
Paint touch up kit / complete	\$15.00	\$6.00
Universal anchor system	\$69.00	\$17.00
Universal post pad	\$129.00	\$6.00
Post lock	\$9.50	\$5.00
Backboard polish	\$8.50	\$5.00
Backboard padding (Sr only)	\$129.00	\$10.00
Backboard padding (Jr only)	\$99.00	\$10.00
Backboard padding (Z only)	\$89.00	\$10.00

Visa, Mastercard and Discover cards accepted.

Prices subject to change without notice.

LIMITED LIFETIME WARRANTY

(Beginning 01-01-98)

Subject to proper installation and normal use, Zue Corporation warrants, subject to the limitations below, to the original retail purchaser all structural components of the Goalrilla™ System to be free of defects in material and workmanship for the duration of ownership by the original retail purchaser.

Merchandise must be shipped prepaid with a copy of proof of purchases to our factory for examination to see whether it needs to be repaired or replaced. Any labor costs, travel expenses and any other charges involved in the removal, installation or replacement of the defective/repared parts from/to your Goalrilla™ System will be your (the purchaser's) responsibility. Shipping charges for replaced or warranted merchandise being sent back to the customer from our factory must be prepaid by the customer in advance. If not, the shipment will be sent out collect.

Zue Corporation reserves the right to examine photographs or physical evidence of merchandise claimed to be defective, and to recover said merchandise, prior to authorization of warranty claims. A "Returned Goods Authorization" number must be obtained from Zue Corporation prior to the return of any photographs or merchandise.

This warranty is expressly in lieu of all other warranties, expressed or implied, including warranties of merchantability or fitness for use. Zue does not assume or authorize any person or representative to assume for us, any other liability in connection with the sale of our products.

The remedy of repair or replacement stated above is your exclusive remedy. Zue will not be liable for any other damages or expenses which you may incur, including but not limited to incidental or consequential damages. Zue Corporation assumes no other obligations or liability on the part of the purchaser, and Zue neither assumes nor authorizes any other person to assume for it any other liability in connection with the goods sold.

What is Not Covered by This Warranty

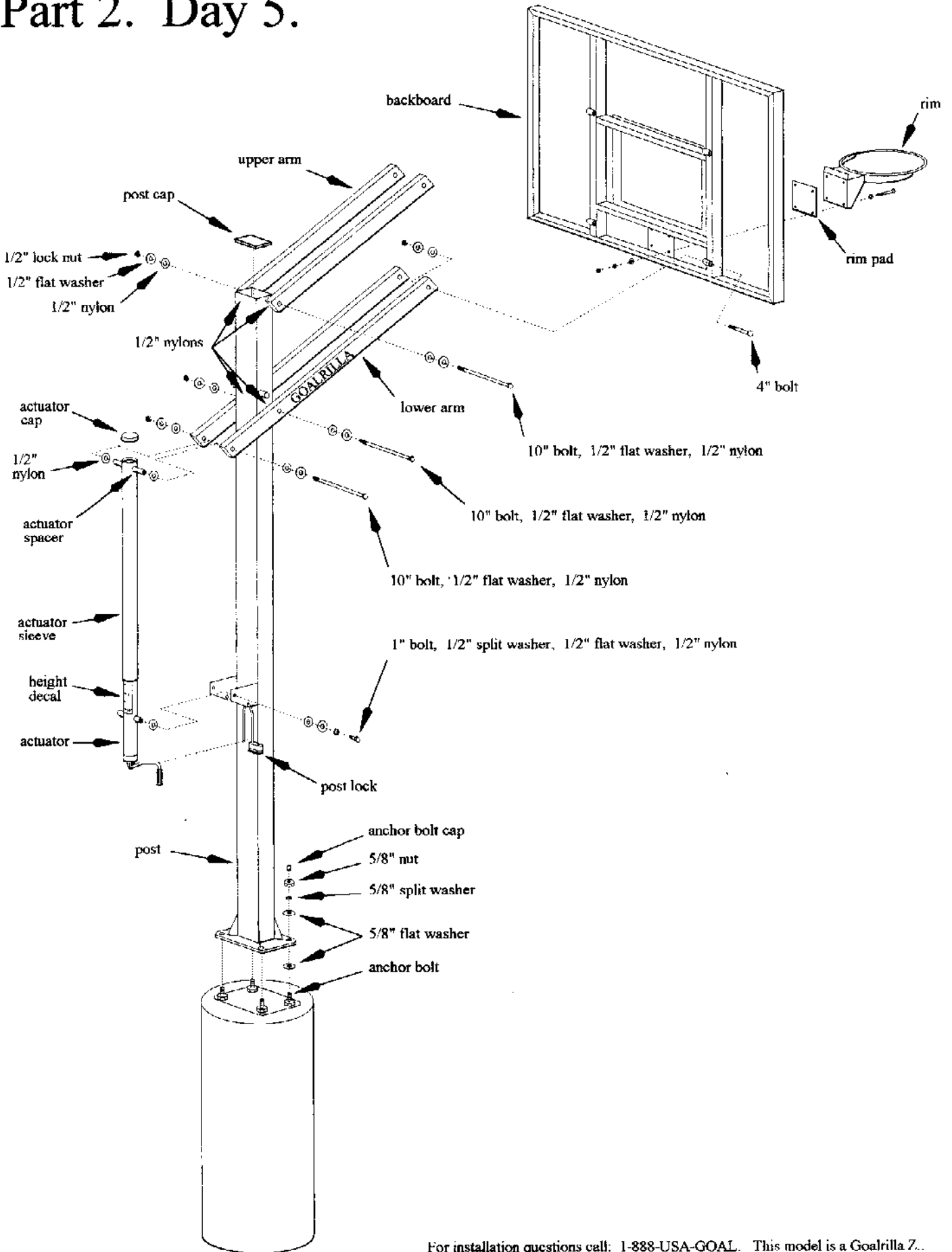
- Any merchandise subjected to abuse, negligence, improper installation, vandalism, acts of God, alteration of product, or any other events beyond the control of Zue Corporation.
- Paint or rusted parts. Paint kits will be available to assist in normal maintenance.
- **HANGING ON RIM WILL VOID YOUR WARRANTY:** Rims are not warranted for any defects other than workmanship. Torn back plates, damaged springs, bent rings, damaged eyebolts, and torn or distorted rim supports result from hanging on the rim and is not warranted.
- Shipping charges both ways. Note: Any merchandise shipped to Zue Corporation collect will be refused.
- Dealer service charges, labor charges and travel expenses associated with replacement of repair of warranty item

WARRANTY GUIDELINES

1. Keep your proof of purchase (original retail purchaser). Without it, we will not be able to proceed with any warranty service.
2. Call or write us here at Zue Corporation to receive a Return Authorization # and allow us to better guide you with your specific needs. (888) USA - GOAL / Warranty Dept.

Zue Corporation – 15150 Herriman Blvd. – Noblesville, IN. 46060 – Attn: Warranty Dept.

Part 2. Day 5.



For installation questions call: 1-888-USA-GOAL. This model is a Goalrilla Z...