



We strive to ensure that our products are of the highest quality and free of manufacturing defects or missing parts. However, if you have any problems with your new product,

DO NOT RETURN IT TO THE STORE,

please contact us toll free @:

1-888-996-2729

FAX: 1-866-873-3531

gameroom@escaladesports.com

Or write to:

Escalade Sports

Customer Service Department

P.O. Box 889

Evansville, IN 47706

Please visit our Web site at:

www.escaladesports.com

Please have your date code when inquiring about parts.

When contacting Escalade Sports please provide your model number, date code (if applicable), and part number if requesting a replacement part. These numbers are located on the product, packaging, and in this owners manual.

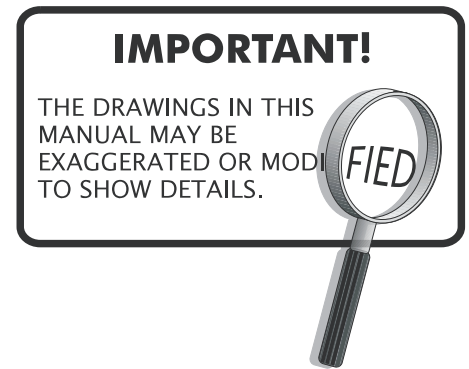
Your Model Number **G01889W**

Date Code: **2 - G01889W - - WJ**

Purchase Date: _____

PLEASE RETAIN THIS INSTRUCTION MANUAL FOR FUTURE REFERENCE

**IMPORTANT! READ EACH STEP
IN THIS MANUAL BEFORE YOU
BEGIN THE ASSEMBLY.**



TWO ADULTS ARE REQUIRED TO ASSEMBLE THIS ATOMIC GLADIATOR SOCCER TABLE

Tools Required:

- T1 - Allen Wrench (Included)
- Phillips Screwdriver
- Furniture Polish and Cloth

An electric screwdriver is helpful in assembly. However, please set at low torque and use extreme caution with an electric screwdriver because you could overtighten the hardware and strip the screws.

Assembly Tips

Make sure you understand the following tips before you begin to assemble your soccer table.

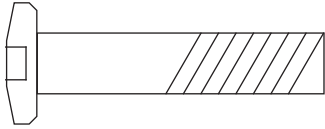
1. Start all bolts by hand before tightening.
2. Some drawings or images in this manual may not look exactly like your product. Please read and understand the text before starting each assembly step.



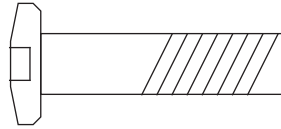
ATTENTION:

**READ AND FOLLOW ALL ASSEMBLY, OPERATION, AND
SAFETY INSTRUCTIONS CAREFULLY. AT LEAST TWO
ADULTS ARE NEEDED TO PUT THIS SOCCER TABLE
TOGETHER.**

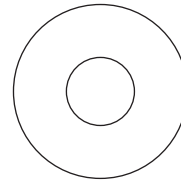
HARDWARE IDENTIFIER (To Scale)



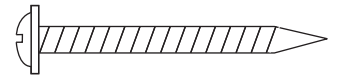
H1 - 5/16" x 1-1/2"
Allen Head Bolt
(8 pcs)



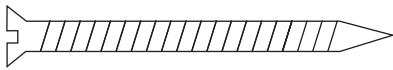
H2 - 5/16" x 1-1/4"
Allen Head Bolt
(16 pcs)



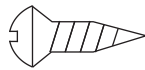
H3 - 5/16"
Flat Washer
(24 pcs)



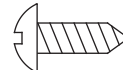
H4 - #3.5 x 1-1/2"
Phillips Washer
Head Screw
(12 pcs)



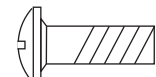
H5 - #4 x 2"
Phillips Flat
Head Screw
(6 pcs)



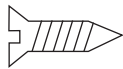
H6 - #4 x 5/8"
Phillips Round
Head Screw
(6 pcs)



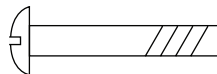
H7 - #4 x 1/2"
Phillips Round
Head Screw
(20 pcs)



H8 - 3/16" x 5/8"
Phillips Round
Head Bolt
(8 pcs)



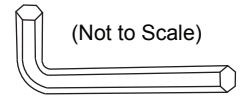
H9 - #3 x 15mm
Phillips Flat Head
Screw (8 pcs)



H10 - #4 x 1"
Phillips Round Head
Bolt (26 pcs)

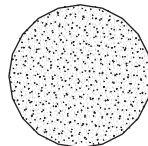


H11 - #4
Lock Nut
(26 pcs)



(Not to Scale)
T1 - Allen Wrench
(1 pc)

ACCESSORIES IDENTIFIER (Not to Scale)

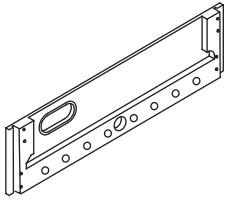


A1- Soccer Ball (4 pcs)

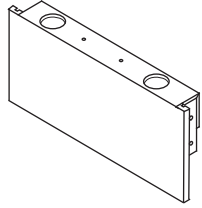


PARTS IDENTIFIER

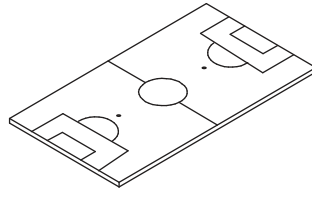
(Not to Scale)



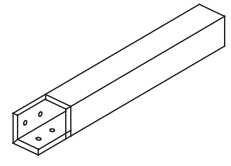
P1 - Side Apron
(2 pcs)



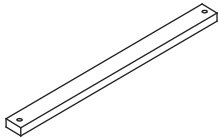
P2 - End Apron
(2 pcs)



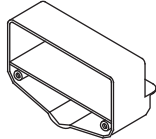
P3 - Playfield (1 pc)



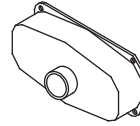
P4 - Leg
(4 pcs)



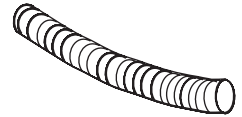
P5 - Playfield Support
Brace (3 pcs)



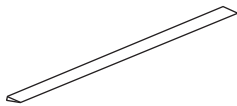
P6 - Goal Box
(2 pcs)



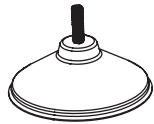
P7 - Ball Catcher
(2 pcs)



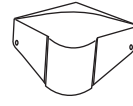
P8 - Ball Return
Tube (2 pcs)



P9 - Playfield Trim
(2 pcs)



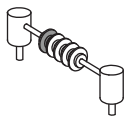
P10 - Leg Leveler
(4 pcs)



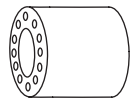
P11 - Corner Cap
(4 pcs)



P12 - Corner Post
(4 pcs)



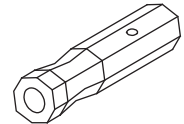
P13 - Scorer (2 pcs)



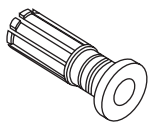
P14 - Rod Bumper
(16 pcs)



P15 - Rod End
Cap (8 pcs)



P16 - Rod Handle
(8 pcs)



P17 - Rod Bushing
(16 pcs)



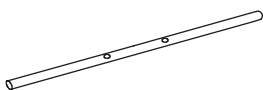
P18 - Ball Entry
Cup (2 pcs)



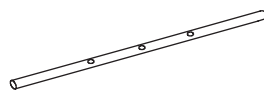
P19 - Red Shirt /
Black Shorts
Player (13 pcs)



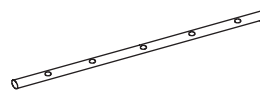
P20 - Black Shirt /
Yellow Shorts
Player (13 pcs)



P21 - 2 Player Rod
(2 pcs)



P22 - 3 Player Rod
(4 pcs)



P23 - 5 Player Rod
(2 pcs)



P24 - Cup Holder
(4 pcs)



PARTS REQUIRED:

- 2 pcs - P1 Side Apron
- 1 pc - P3 Playfield

! ATTENTION:

THIS STEP REQUIRES TWO OR MORE ADULTS.
VERY CAREFULLY SET P3 PLAYFIELD INTO THE GROOVES
IN P1 SIDE APRON.

STEP 1:

Find a clean, level place to begin the assembly of your soccer table. We recommend building the table on the box top to protect the parts during assembly.

Set P3 Playfield into the grooves in P1 Side Apron as shown in **FIGURE 1**.

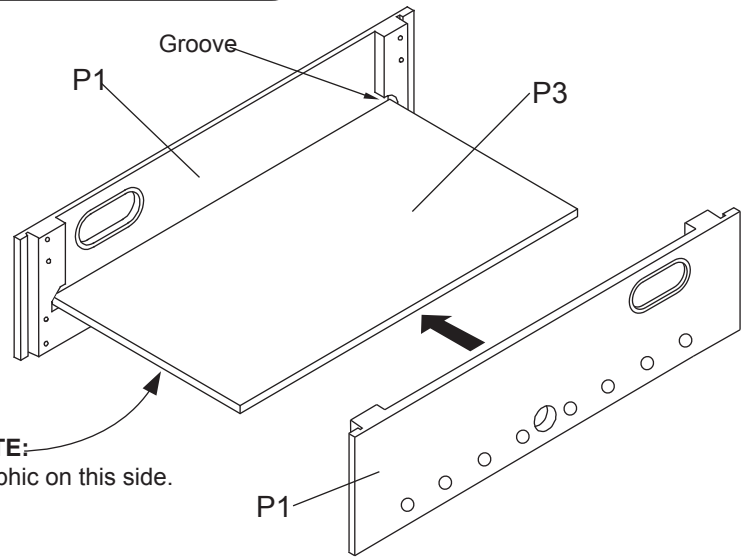


FIGURE 1

PARTS REQUIRED:

- 8 pcs - H1 Allen Head Bolt
- 8 pcs - H7 Phillips Round Head Screw
- 4 pcs - P12 Corner Post
- 8 pcs - H3 Flat Washer
- 2 pcs - P2 End Apron
- 1 pc - T1 Allen Wrench

STEP 2:

Attach P2 End Aprons onto P1 Side Apron using H1 Allen Head Bolts with H3 Flat Washers as shown in **DETAIL A**. Do not tighten H1 Bolts on this time.

Slide P12 Corner Posts on the each end of P1 Side Apron and P2 End Apron. Use T1 Allen Wrench to tighten H1 Bolts. Use H7 Screws to secure P12 Corner Post as shown in **FIGURE 2**. Tighten, but do not strip out H7 Screws.

! ATTENTION:

THIS STEP REQUIRES TWO OR MORE ADULTS.
VERY CAREFULLY ATTACH P12 CORNER POST
ONTO EACH P1 & P2 APRON.

NOTE: P12 Corner Post should be flush with bottom of P1 Side and P2 End aprons.

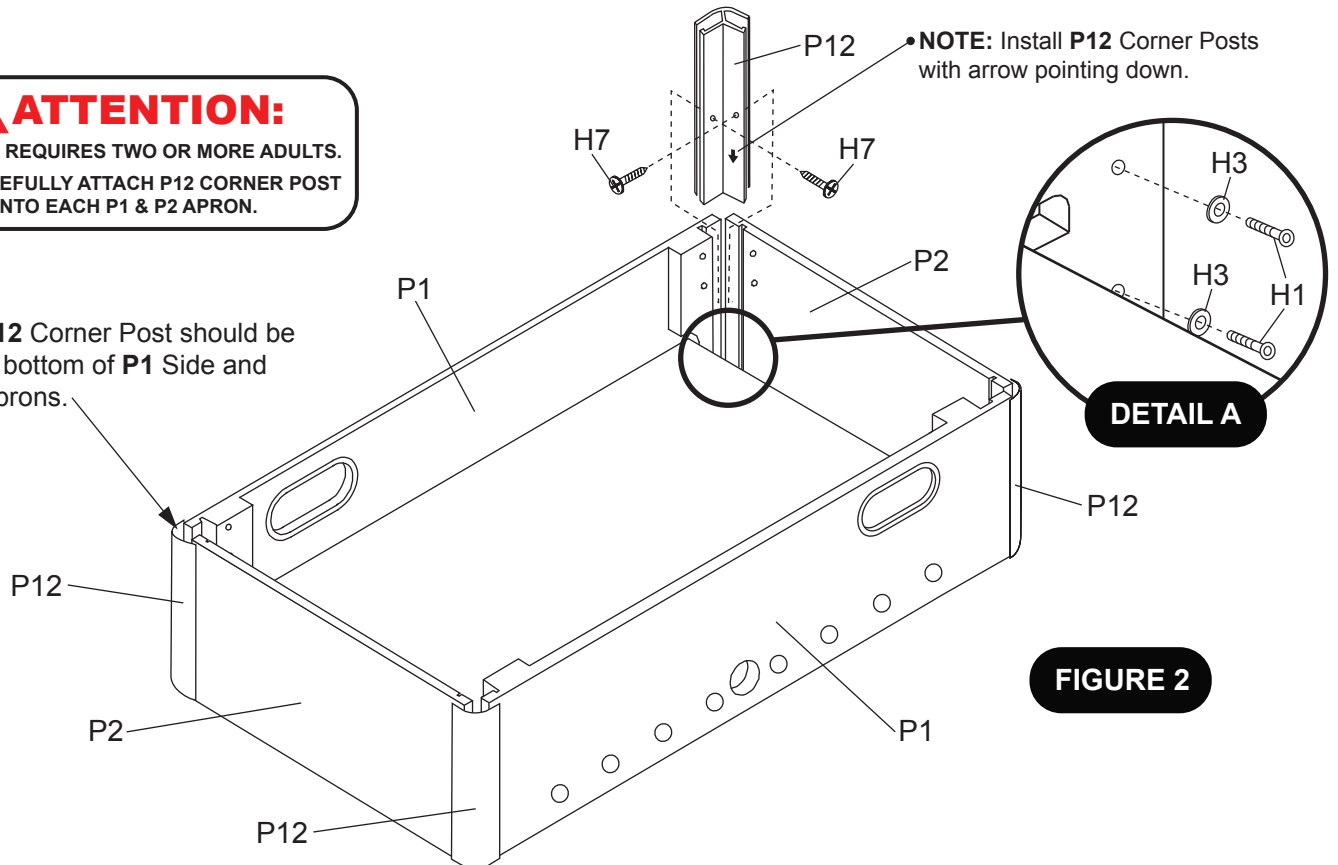


FIGURE 2

PARTS REQUIRED:

12 pcs - **H4** Phillips Washer Head Screw
6 pcs - **H5** Phillips Flat Head Screw

3 pcs - **P5** Playfield
Support Brace

STEP 3:

Center and attach **P3** Playfield in the cabinet using pre-drilled pilot holes with **H4** Screws as shown in **FIGURE 3**. Place each **P5** Playfield Support Brace and attach using pre-drilled pilot holes with **H5** Screws as shown in **FIGURE 3**.

Important Note: Please be sure to install **H4** screws and **H5** screws exactly as per **FIGURE 3**. Screws must be screwed straight down.

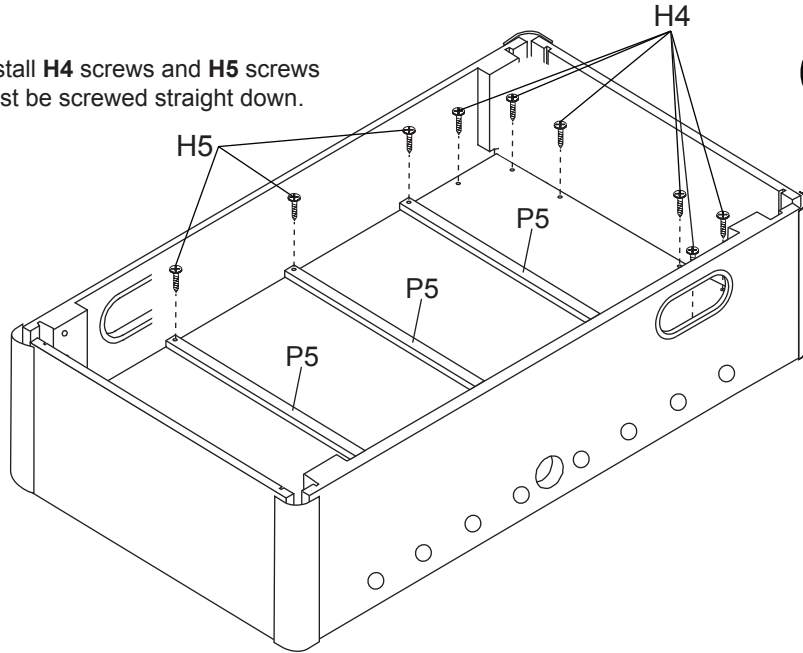


FIGURE 3

PARTS REQUIRED:

16 pcs - **H2** Allen Head Bolt
16 pcs - **H3** Flat Washer
4 pcs - **P4** Leg
4 pcs - **P10** Leg Leveler
1 pc - **T1** Allen Wrench

STEP 4:

Attach **P4** Legs using **H2** Allen Head Bolts with **H3** Flat Washers as shown in **FIGURE 4** & **DETAIL B**.

Use **T1** Allen Wrench to tighten **H1** Bolts.

Thread **P10** Leg Levelers onto each **P4** Leg as shown in **FIGURE 4**.

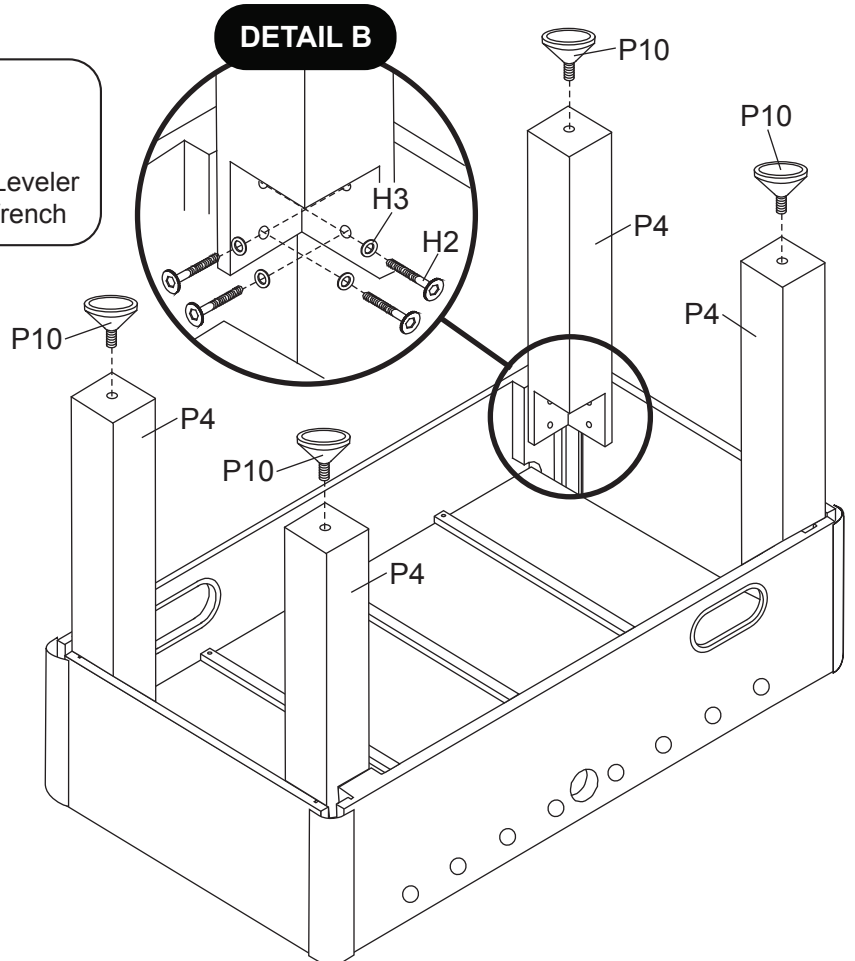


FIGURE 4

PARTS REQUIRED:

12 pcs - **H7** Phillips Round Head Screw
2 pcs - **P6** Goal Box

2 pcs - **P7** Ball Catcher
2 pcs - **P8** Ball Return Tube

STEP 5:

Center **P6** Goal Box over the opening in the end panel and attach using pre-drilled pilot holes with **H7** Screws as shown in **FIGURE 5**.

Center **P7** Ball Catcher over the opening in the side panel and attach using pre-drilled pilot holes with **H7** Screws as shown in **FIGURE 5**.

Make sure the round opening for **P8** Ball Return Tube is towards the floor (when table is turned upright). Repeat for both ends of the table.

Attach **P8** Ball Return Tubes between **P6** Goal Box and **P7** Ball Catcher as shown in **FIGURE 5**.

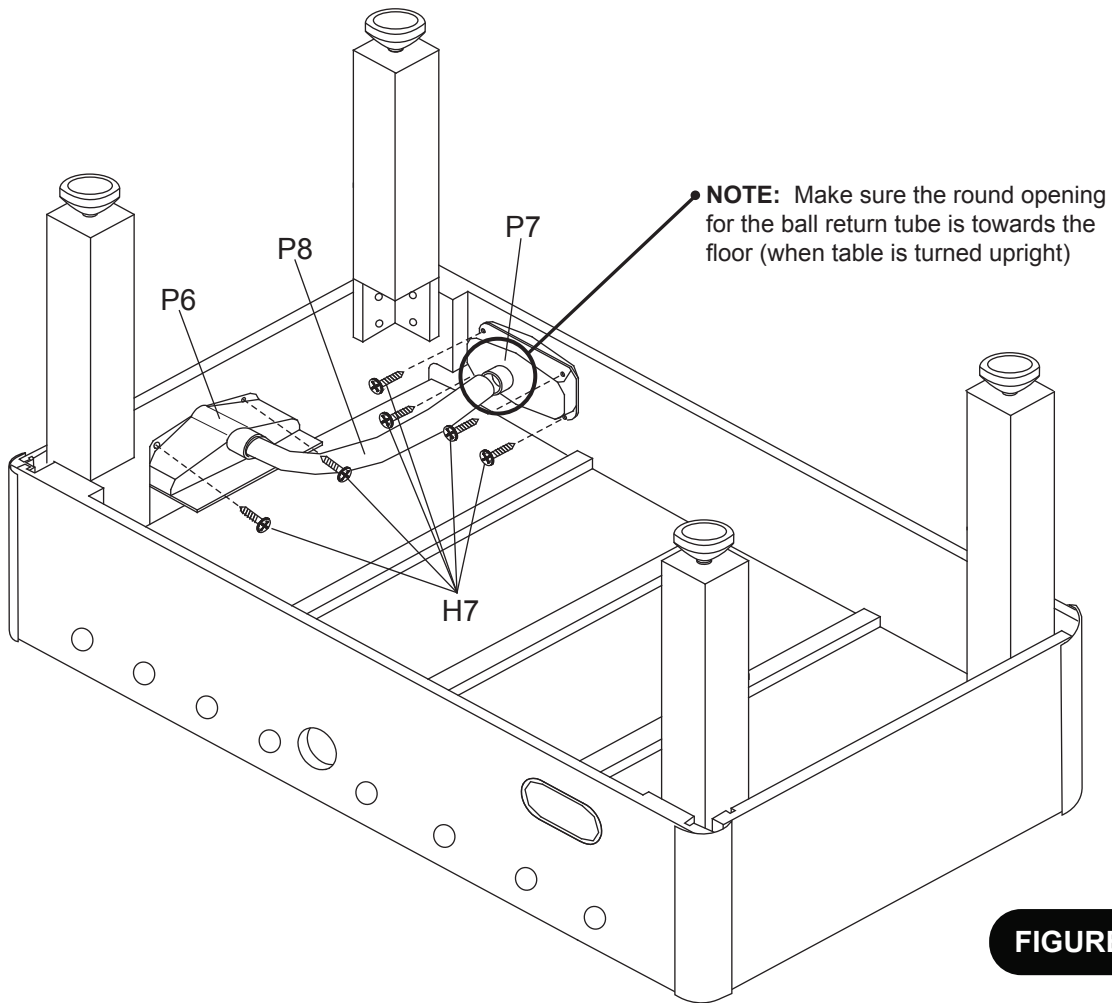


FIGURE 5

CAUTION:

**THIS STEP REQUIRES FOUR OR MORE ADULTS.
VERY CAREFULLY TURN THE TABLE OVER AND SET IT ON
ITS LEGS. BE CAREFUL. THE TABLE IS VERY HEAVY.**

PARTS REQUIRED:

6 pcs - **H6** Phillips Round Head Screw
8 pcs - **H9** Phillips Flat Head Screw
2 pcs - **P9** Playfield Trim

4 pcs - **P11** Corner Cap
2 pcs - **P13** Scorer
16 pcs - **P17** Rod Bushing

2 pcs - **P18** Ball Entry Cup
4 pcs - **P24** Cup Holder

STEP 6:

Peel the protective coating off **P9** Playfield Trims, then peel the adhesive strip protective coating off the underside of **P9** Playfield Trims, then very carefully place them along **P3** Playfield as shown in **FIGURE 6**.

Attach **P11** Corner Caps using **H9** Screws as shown in **FIGURE 6**.
Tighten, but do not strip out H9 Screws.

Attach **P13** Scorers onto the top of **P2** End Apron as shown in **FIGURE 6**.

Insert **P17** Rod Bushings onto both **P1** Side Aprons as shown in **FIGURE 6**.

Please make sure to insert **P17** Rod Bushings from the inner side of **P1** Side Apron for correct assembly.

IMPORTANT NOTE: P17 Rod Bushings may require the use of a rubber hammer for installation into side apron. With a rubber hammer, lightly tap bushing squarely into place. DO NOT USE STEEL HAMMER! If a rubber hammer is not available, place a piece of wood squarely on bushing and lightly tap into place.

Attach **P18** Ball Entry Cups using **H6** Screws as shown in **DETAIL C**.
Tighten, but do not strip out H6 Screws.

Carefully - Tap **P24** Cup Holders down into **P2** End Aprons as shown in **FIGURE 6**.

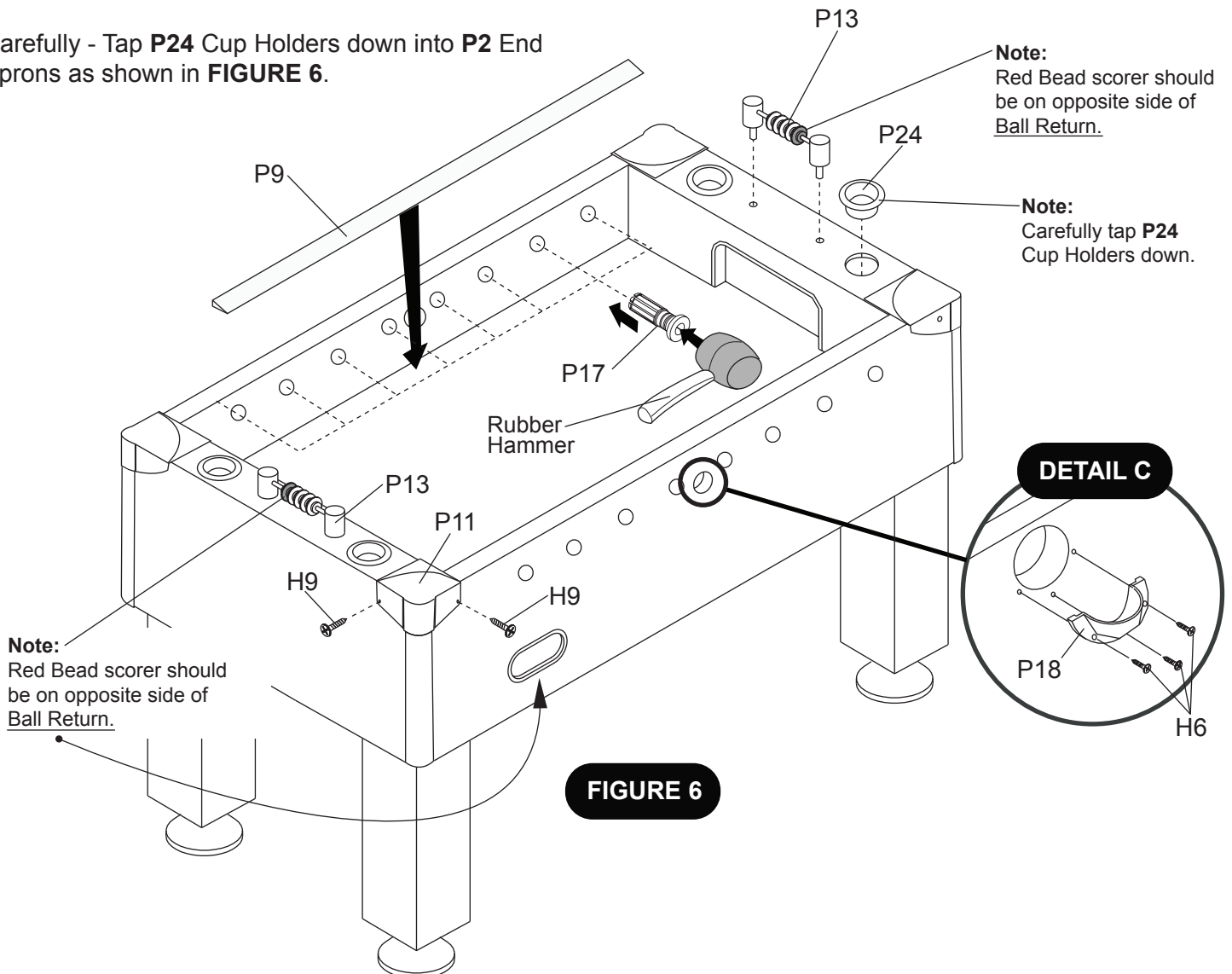


FIGURE 6

PARTS REQUIRED:

4 pcs - **H8** Phillips Round Head Bolt
 13 pcs - **H10** Phillips Round Head Bolt
 13 pcs - **H11** Lock Nut
 13 pcs - **P19** Red Shirt / Black Shorts Player

1 pc - **P21** 2 Player Rod
 2 pcs - **P22** 3 Player Rod
 1 pc - **P23** 5 Player Rod

8 pcs - **P14** Rod Bumper
 4 pcs - **P15** Rod End Cup
 4 pcs - **P16** Rod Handle

STEP 7:

Slide **P22** 3 Player Rods, **P23** 5 Player Rod and **P21** 2 Player Rod through **P17** Rod Bushings of one **P1** Side Apron as shown in **FIGURE 7**.

IMPORTANT NOTE: Please note the location of the hole that is near one end of each rod. This is the handle end of the rod.

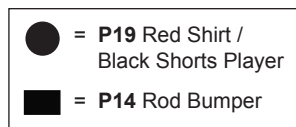
Place one **P14** Rod Bumper on each rod as shown in **FIGURE 7**.

Place **P19** Red Shirt / Black Shorts Players on each rod as shown in **FIGURE 7**.

IMPORTANT NOTE: The goalie should be at your left and your team (player face) facing to the right.

Looking ahead to Page 10 **FIGURE 10** - will help you with correct player and rod handle assembly onto rods.

Place one **P14** Rod Bumper on each rod as shown in **FIGURE 7**.



P17 Rod Bushing

OVERHEAD VIEW LOOKING DOWN ONTO TABLE

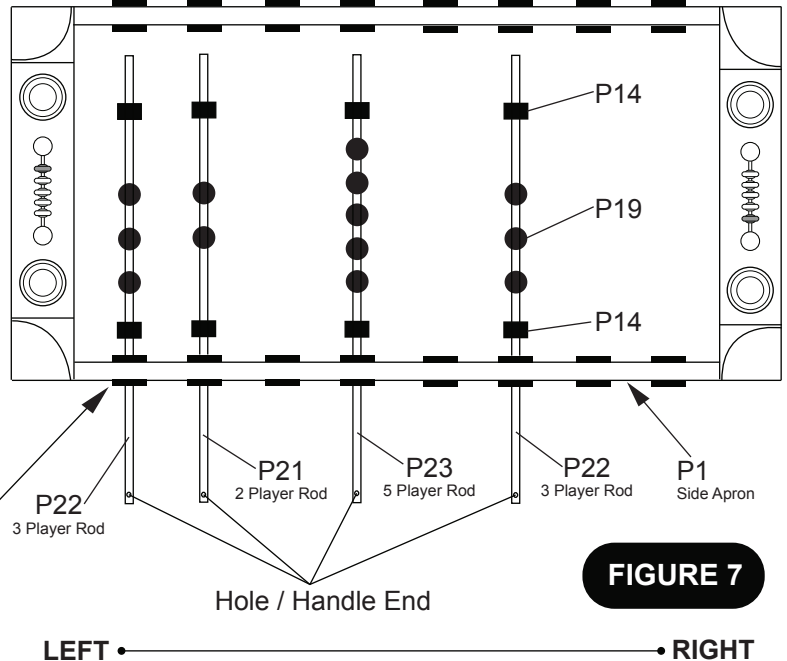


FIGURE 7

STEP 8:

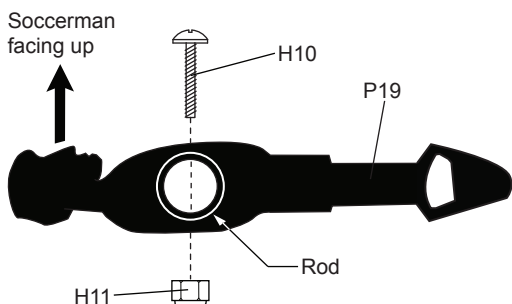
Align **P19** Red Shirt / Black Shorts Player to each player hole and attach using **H10** Bolts with **H11** Lock Nut as shown in **FIGURE 8** and **DETAIL A**.

Attach **P15** Rod End Caps to the rods as shown in **FIGURE 8**.

Slide **P16** Rod Handle onto each rod end with the small hole as shown in **FIGURE 8**.

Attach **P16** Rod Handle using **H8** Bolts as shown in **FIGURE 8**.

DETAIL A



IMPORTANT NOTE: Soccerman should be in vertical position while attaching **P16** Handles with thumb slot facing up.

OVERHEAD VIEW LOOKING DOWN ONTO TABLE

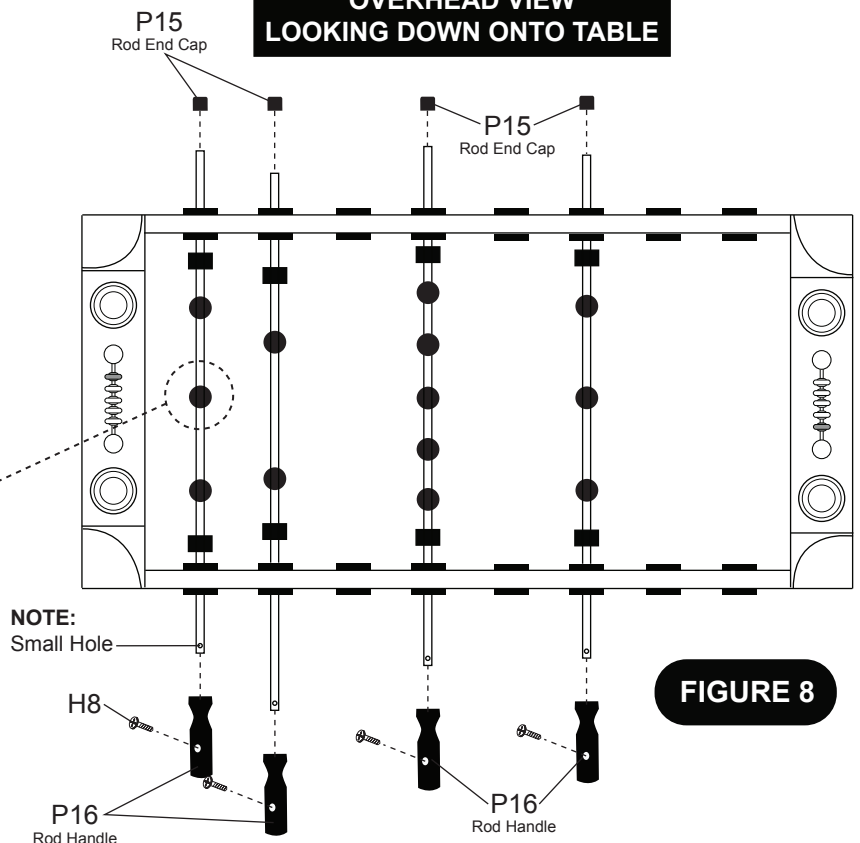


FIGURE 8

PARTS REQUIRED:

4 pcs - **H8** Phillips Round Head Bolt
 13 pcs - **H10** Phillips Round Head Bolt
 13 pcs - **H11** Lock Nut
 13 pcs - **P20** Black Shirt / Yellow Shorts Player

1 pc - **P21** 2 Player Rod
 2 pcs - **P22** 3 Player Rod
 1 pc - **P23** 5 Player Rod

8 pcs - **P14** Rod Bumper
 4 pcs - **P15** Rod End Cup
 4 pcs - **P16** Rod Handle

STEP 9:

Slide **P22** 3 Player Rods, **P23** 5 Player Rod and **P21** 2 Player Rod through **P17** Rod Bushings of one **P1** Side Apron as shown in **FIGURE 9**.

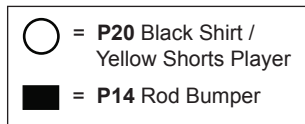
IMPORTANT NOTE: Please note the location of the hole that is near one end of each rod. This is the handle end of the rod.

Place one **P14** Rod Bumper on each rod as shown in **FIGURE 9**.

Place **P20** Black Shirt / Yellow Shorts Players on each rod as shown in **FIGURE 9**.

IMPORTANT NOTE: The goalie should be at your left and your team (player face) facing to the right.

Place one **P14** Rod Bumper on each rod as shown in **FIGURE 9**.



OVERHEAD VIEW LOOKING DOWN ONTO TABLE

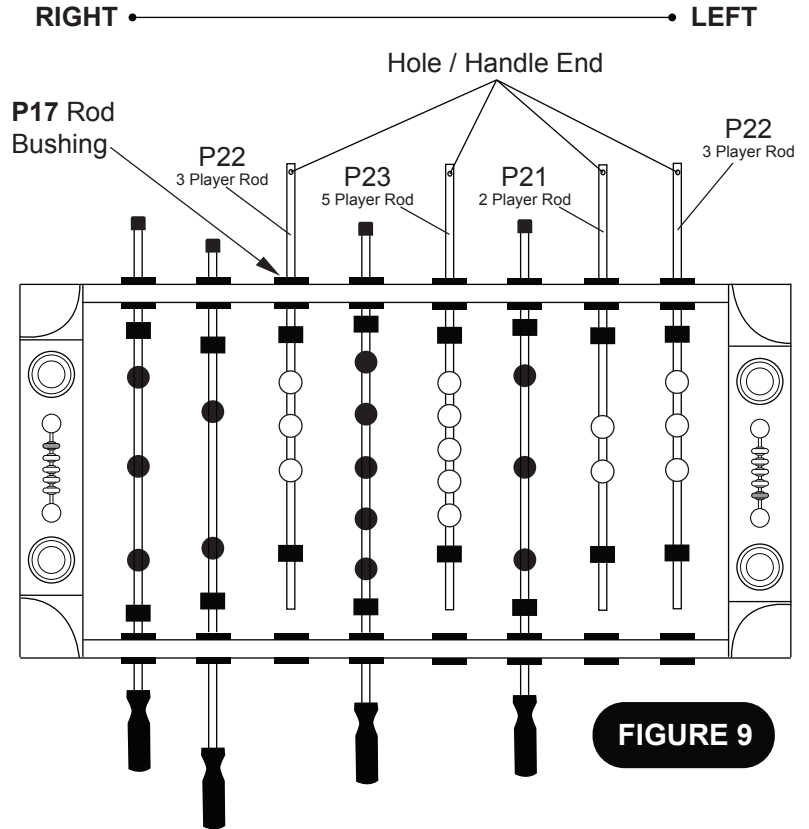


FIGURE 9

STEP 10:

Align **P20** Black Shirt / Yellow Shorts Player to each player hole and attach using **H10** Bolts with **H11** Lock Nut as shown in **FIGURE 10** and **DETAIL B**.

Attach **P15** Rod End Caps to the rods as shown in **FIGURE 10**.

Slide **P16** Rod Handle onto each rod end with the small hole as shown in **FIGURE 10**.

Attach **P16** Rod Handle using **H8** Bolts as shown in **FIGURE 10**.

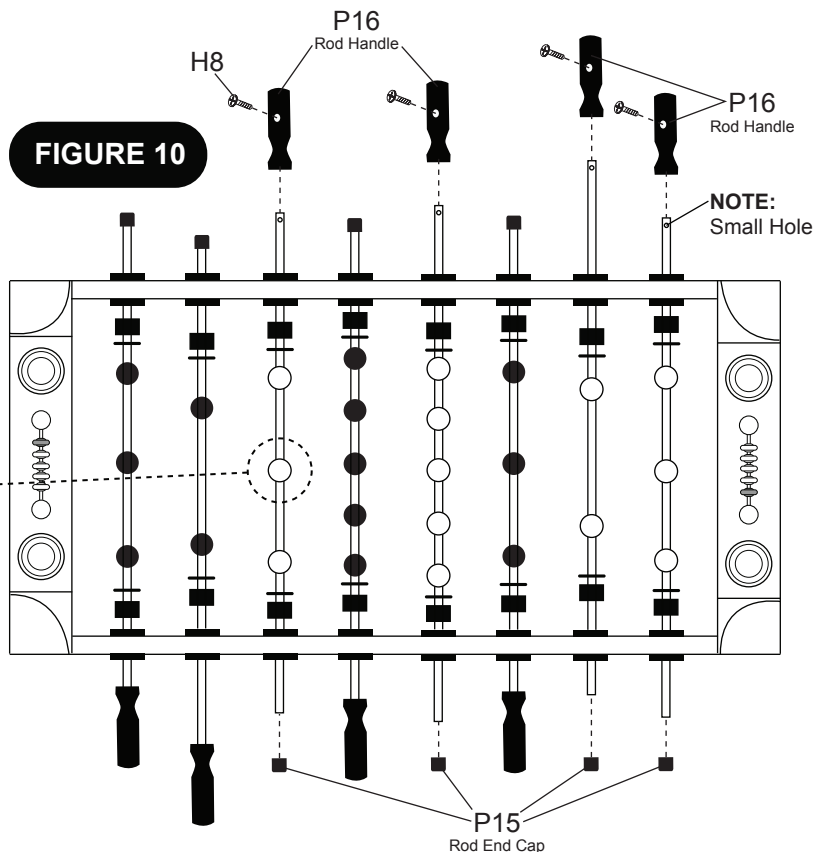
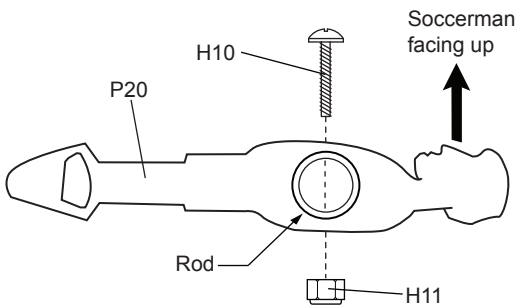


FIGURE 10

DETAIL B



IMPORTANT NOTE: Soccerman should be in vertical position while attaching **P16** Handles with thumb slot facing up.

Congratulations! You have now assembled your soccer table. Please note the Care and Use instructions below to insure many years of trouble free use of your soccer table.

CARE AND USE OF YOUR GALDIATOR SOCCER TABLE

1. Apply a few drops of lubricant (not provided) to the rods and the bearings. Rotate rods to make sure you spread lubricant evenly.
2. Use spray furniture polish to clean all exterior surfaces of your soccer table.
3. Use a carpenters level to properly level table using the leg levelers.
4. This product is intended for **INDOOR** use only.
5. **DO NOT** sit, climb or lean on the table.
6. **DO NOT** drag the table when moving it. This will damage the legs.
7. **DO NOT** set drinks on the table.

PRODUCT PARTS LIST FOR MODEL # G01889W

Key #	Part #	Description	Qty.
H1	01889WJH1	5/16" x 1-1/2" Allen Head Bolt	8
H2	01889WJH2	5/16" x 1-1/4" Allen Head Bolt	16
H3	01889WJH3	5/16" Flat Washer	24
H4	01889WJH4	#3.5 x 1-1/2" Phillips Washer Head Screw	12
H5	01889WJH5	#4 x 2" Phillips Flat Head Screw	6
H6	01889WJH6	#4 x 5/8" Phillips Round Head Screw	6
H7	01889WJH7	#4 x 1/2" Phillips Round Head Screw	20
H8	01889WJH8	3/16" x 5/8" Phillips Round Head Bolt	8
H9	01889WJH9	#3 x 15mm Phillips Flat Head Screw	8
H10	01889WJH10	#4 x 1" Phillips Round Head Bolt	26
H11	01889WJH11	#4 Lock Nut	26
T1	01889WJT1	Allen Wrench	1
A1	01889WJA1	Soccer Ball	4
P1	01889WJP1	Side Apron	2
P2	01889WJP2	End Apron	2
P3	01889WJP3	Playfield	1
P4	01889WJP4	Leg	4
P5	01889WJP5	Playfield Support Brace	3
P6	01889WJP6	Goal Box	2
P7	01889WJP7	Ball Catcher	2
P8	01889WJP8	Ball Return Tube	2
P9	01889WJP9	Playfield Trim	2
P10	01889WJP10	Leg Leveler	4
P11	01889WJP11	Corner Cap	4
P12	01889WJP12	Corner Post	4
P13	01889WJP13	Scorer	2
P14	01889WJP14	Rod Bumper	16
P15	01889WJP15	Rod End Cap	8
P16	01889WJP16	Rod Handle	8
P17	01889WJP17	Rod Bushing	16
P18	01889WJP18	Ball Entry Cup	2
P19	01889WJP19	Red Shirt / Black Shorts Player	13
P20	01889WJP20	Black Shirt / Yellow Shorts Player	13
P21	01889WJP21	2 Player Rod	2
P22	01889WJP22	3 Player Rod	4
P23	01889WJP23	5 Player Rod	2
P24	01889WJP24	Cup Holder	4
K1	01889WJK1	Hardware Kit	1
M1	01889WJM1	Owner Manual	1

90 DAY LIMITED WARRANTY

This consumer warranty extends to the original consumer purchase of any ESCALADESPORTS Product (hereinafter referred as the "Product").

WARRANTY DURATION: This Product is warranted to the original consumer purchase of a period of 90 days from the original purchase.

WARRANTY COVERAGE: ESCALADE SPORTS warrants to the original Consumer Purchaser that any Product of its manufacture is free from defects in material and workmanship when used for the intended purpose under normal use and conditions. THIS WARRANTY IS VOID IF THE PRODUCT HAS BEEN DAMAGED BY ACCIDENT, UNREASONABLE USE, NEGLIGENCE, IMPROPER SERVICE, FAILURE TO FOLLOW INSTRUCTIONS PROVIDED WITH THE PRODUCT OR OTHER CAUSES NOT ARISING OUT OF DEFECTS IN MATERIAL AND WORKMANSHIP.

WARRANTY PERFORMANCE: During the above 90 day warranty period, ESCALADESPORTS shall repair or replace with a comparable model, and Product, or component thereof, which may prove defective under normal use and proper care, and which our examination shall disclose to our satisfaction to be thus defective, please contact our Warranty Dept.

1-888-996-2729 / Warranty Dept.

Or Write us at:

Escalade® Sports, Inc. - P.O. Box 889, Evansville, IN 47706

Attn: Warranty Dept.

Or E-mail us at:

gamerom@escaladesports.com

Other than shipping requirements no charge will be made for such repair or replacement of in-warranty Products. ESCALADE SPORTS strongly recommends that the Product is insured for value prior to mailing.

WARRANTY DISCLAIMERS: ANY IMPLIED WARRANTIES ARISING OUT OF THIS SALE, INCLUDING BUT NOT LIMITED TO THE IMPLIED WARRANTIES OF MERCHANTABILITY AND FITNESS FOR A PARTICULAR PURPOSE, ARE LIMITED IN DURATION TO THE ABOVE 90 DAY PERIOD. ESCALADE SPORTS SHALL NOT BE LIABLE FOR LOSS OF USE OF THE PRODUCT OR OTHER CONSEQUENTIAL OR INCIDENTAL COSTS, EXPENSES OR DAMAGES INCURRED BY THE CONSUMER OF ANY OTHER USE.

Some states do not allow the exclusion or limitation of implied warranties or consequential or incidental damages, so the above limitations or exclusions may not apply to you.

LEGAL REMEDIES: This warranty gives you specific legal rights and you may also have other rights which may vary from state to state.

IMPORTANTE! LEA TODOS LOS PASOS DE ESTE MANUAL ANTES DE COMENZAR A ARMAR.

IMPORTANTE!

LOS DIBUJOS DE ESTE MANUAL PUEDEN HABERSE EXAGERADO O MODIFICADO PARA MOSTRAR LOS DETALLES.



SE REQUIEREN DOS ADULTOS PARA ENSAMBLAR ESTA MESA “ATOMIC GLADIATOR”.

Herramientas Necesarias:

- T1 - Llave Allen (Incluida)
- Desarmador Phillips
- Spray abrillantador de muebles y un Paño limpio

Un desarmador eléctrico, puede resultarle muy útil para armar la mesa. Sin embargo, debe usarlo en baja potencia y tener mucho cuidado de no ajustar en exceso y dañar los tornillos.

Consejos del Ensamblamiento

Asegúrese de que comprende los siguientes consejos antes de comenzar a armar la mesa.

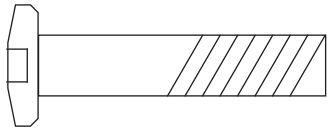
1. Coloque todos los tornillos manualmente antes de apretarlos.
2. Algunos dibujos o imágenes de este manual puede que no se vean exactamente igual a su producto. Asegúrese de leer y comprender el texto antes de comenzar cada paso.



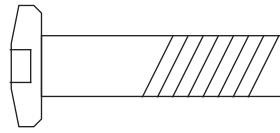
PRECAUCIÓN:

LEA ATENTAMENTE Y SIGA LAS INSTRUCCIONES DEL DEL ENSAMBLADO, DEL FUNCIONAMIENTO Y DE SEGURIDAD SE REQUIEREN POR LO MENOS DOS ADULTOS PARA ARMAR ESTA MESA

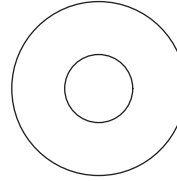
IDENTIFICADOR DE TORNILLOS (A Escala)



H1 - 5/16" x 1-1/2"
Tornillo Allen
(8 pzas.)



H2 - 5/16" x 1-1/4"
Tornillo Allen
(16 pzas.)



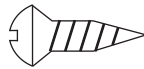
H3 - 5/16"
Rondana
(24 pzas.)



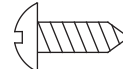
H4 - #3.5 x 1-1/2"
Tornillo Phillips
(Cabeza tipo Rondana)
(12 pzas.)



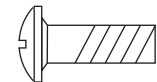
H5 - #4 x 2"
Tornillo Phillips (cabeza
plana)
(6 pzas.)



H6 - #4 x 5/8"
Tornillo Phillips
(Cabeza redonda)
(6 pzas.)



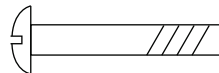
H7 - #4 x 1/2"
Tornillo Phillips
(Cabeza redonda)
(20 pzas.)



H8 - 3/16" x 5/8"
Tornillo Phillips
(8 pzas.)



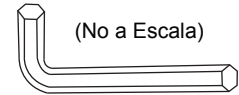
H9 - #3 x 15mm
Tornillo Phillips
(cabeza plana)
(8 pzas.)



H10 - #4 x 1"
Tornillo Phillips (26 pzas.)

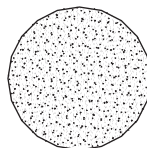


H11 - #4
Tuerca de Seguridad
(26 pzas.)



(No a Escala)
T1 - Llave Allen
(1 pza.)

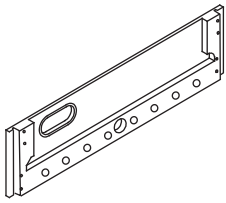
IDENTIFICADOR DE ACCESORIOS (No a Escala)



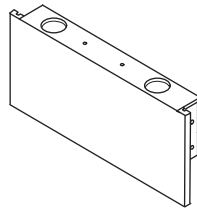
A1- Pelota de Fútbol
(4 pzas.)



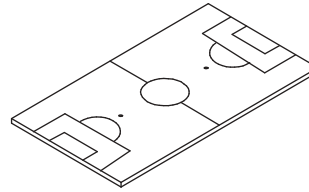
IDENTIFICADOR DE LAS PARTES (No a Escala)



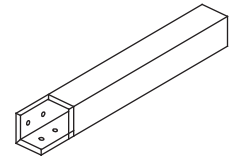
P1 - Panel Lateral
(2 pzas.)



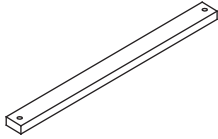
P2 - Panel del Extremo
(2 pzas.)



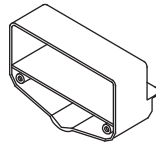
P3 - Superficie de Juego (1 pza.)



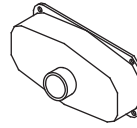
P4 - Pata
(4 pzas.)



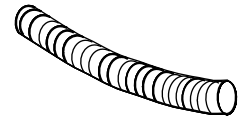
P5 - Superficie de Juego Support Brace (3 pzas.)



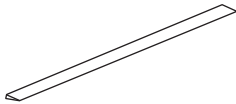
P6 - Portería
(2 pzas.)



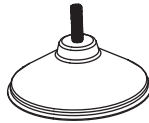
P7 - Recogedor de Pelotas
(2 pzas.)



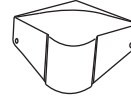
P8 - Tubo de Retorno de las Pelotas
(2 pzas.)



P9 - Borde de Superficie de Juego
(2 pzas.)



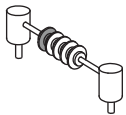
P10 - Nivelador de las Patas
(4 pzas.)



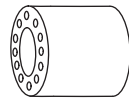
P11 - Tapa de la Esquina
(4 pzas.)



P12 - Poste de la Esquina
(4 pzas.)



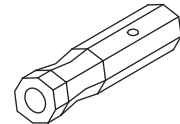
P13 - Marcador (2 pzas.)



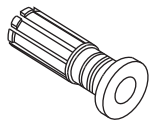
P14 - Tope de la barra
(16 pzas.)



P15 - Tapón para la barra
(8 pzas.)



P16 - Mango de la barra
(8 pzas.)



P17 - Buje de la barra
(16 pzas.)



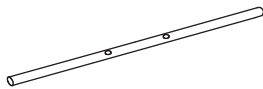
P18 - Entrada de Pelotas (2 pzas.)



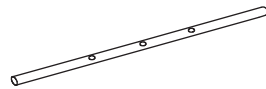
P19 - Jugador Camisa Roja/Shorts Negros
(13 pzas.)



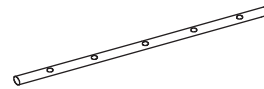
P20 - Jugador Camisa Negra/Shorts Amarillos
(13 pzas.)



P21 - Barra de 2 Jugadores
(2 pzas.)



P22 - Barra de 3 Jugadores
(4 pzas.)



P23 - Barra de 5 Jugadores
(2 pzas.)



P24 - Portavasos
(4 pzas.)



PARTES REQUERIDAS:

2 pzas. - P1 Panel Lateral

1 pza. - P3 Superficie de Juego



ADVERTENCIA

ESTE PASO REQUIERE DE DOS O MAS ADULTOS

MUY CUIDADOSAMENTE COLOQUE LA SUPERFICIE DEL JUEGO P3 EN LAS RANURAS DEL PANEL LATERAL P1.

PASO 1:

Elija una superficie plana, nivelada y limpia para empezar a ensamblar su mesa de fútbol. Se recomienda construir la mesa sobre la caja extendida para proteger las piezas durante el ensamblamiento.

Coloque la Superficie de Juego P3 en las ranuras del Panel Lateral P1 como se muestra en la FIGURA 1.

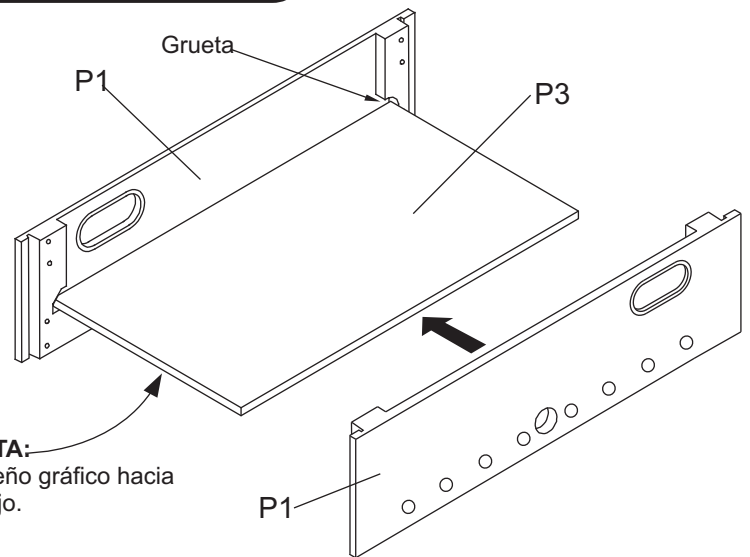


FIGURA 1

NOTA:
Diseño gráfico hacia abajo.

PARTES REQUERIDAS:

8 pzas. - H1 Tornillo Allen

8 pzas. - H7 Tornillo Phillips (Cabeza redonda)

4 pzas. - P12 Poste de la Esquina

8 pzas. - H3 Rondana

2 pzas. - P2 Panel del Extremo

1 pza. - T1 Llave Allen

PASO 2:

Coloque los Paneles del Extremo P2 en los Paneles Laterales P1 utilizando los Tornillos Allen H1 con las Rondanas H3 como se muestra en el DETALLE A. **No apriete los Tornillos H1 en este momento.**

Deslice los Postes de la Esquina P12 en cada uno de los extremos de los Paneles Laterales P1 y de los Paneles del Extremo P2. Utilice la Llave Allen T1 para apretar los Tornillos H1. Utilice los Tornillos H7 para asegurar los Postes de la Esquina P12 como se muestra en la FIGURA 2. **Apriete los Tornillos H7, pero no los sobre apriete ya que se dañarían.**



ADVERTENCIA

ESTE PASO REQUIERE DE DOS O MAS ADULTOS.
CON MUCHO CUIDADO COLOQUE LOS POSTES DE LAS ESQUINAS P12 EN CADA PANEL P1 Y P2

NOTA: Los Postes de las Esquinas P12 deben quedar nivelados al ras con la parte inferior de los Paneles Laterales P1 y los Paneles del Extremo P2.

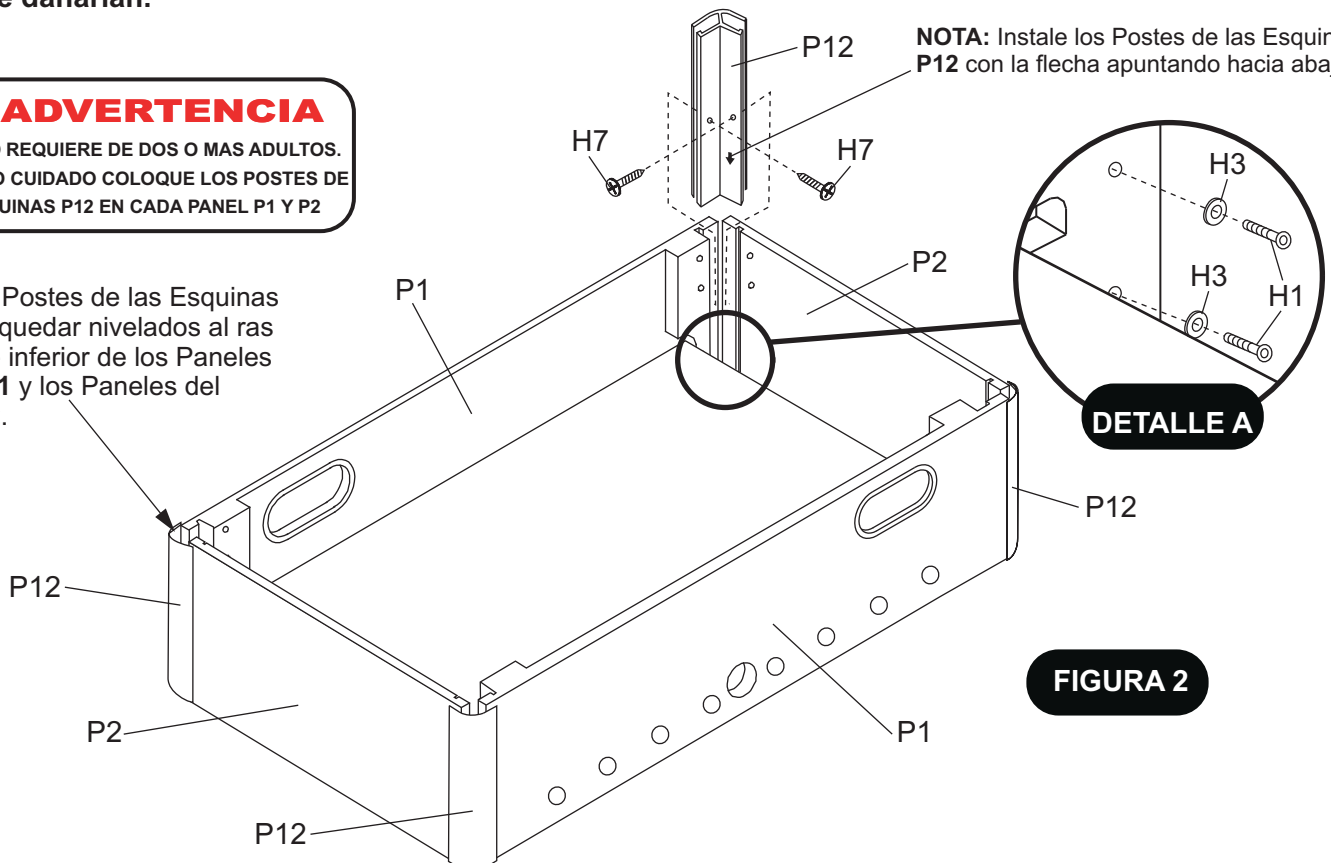


FIGURA 2

PARTES REQUERIDAS:

12 pzas. - H4 Tornillo Phillips (Cabeza tipo Rondana) 3 pzas. - P5 Soporte de la

Superficie de Juego

6 pzas. - H5 Tornillo Phillips (cabeza plana)

PASO 3:

Centre y Coloque la Superficie de Juego **P3** en el gabinete usando los orificios guía pre-perforados utilizando los Tornillos **H4** como se muestra en la **FIGURA 3**. Coloque cada uno de los Soportes de la Superficie de Juego **P5** y fíjelos con los orificios guía pre-perforados utilizando los Tornillos **H5** como se muestra en la **FIGURA 3**.

NOTA IMPORTANTE: Asegúrese de instalar los tornillos **H4** y **H5** exactamente como se muestra en la **FIGURA 3**.

Los tornillos se deben atornillar verticalmente hacia abajo.

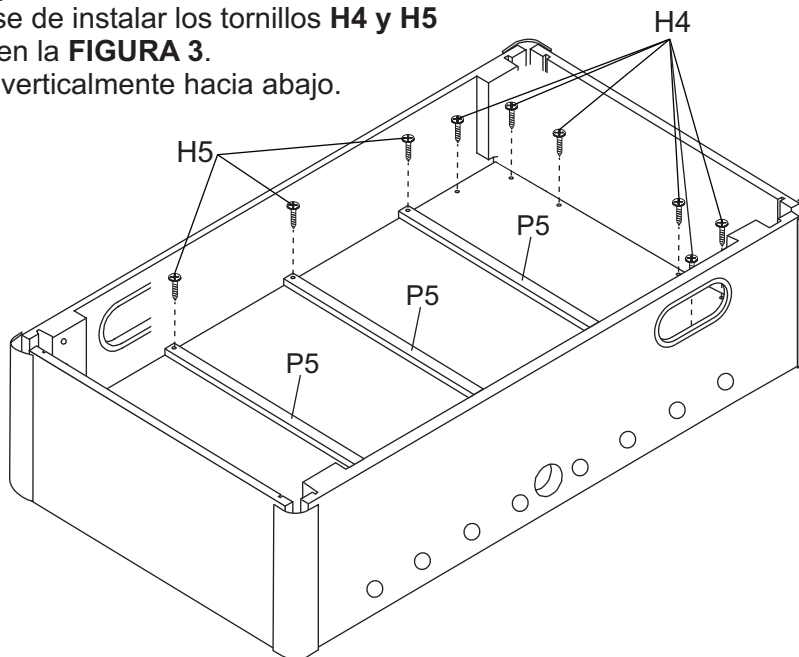


FIGURA 3

PARTES REQUERIDAS:

16 pzas. - H2 Tornillo Allen

4 pzas. - P4 Pata

16 pzas. - H3 Rondana

4 pzas. - P10 Nivelador

1 pza. - T1 Llave Allen

PASO 4:

Colocar las Patas **P4** utilizando los Tornillos Allen **H2** con las Rondanas **H3** como se muestra en la **FIGURA 4** y el **DETALLE B**.

Utilice la Llave Allen **T1** para apretar los Tornillos **H1**.

Coloque/Enrosque los Niveladores **P10** en cada una de las Patas **P4** como se muestra en la **FIGURA 4**.

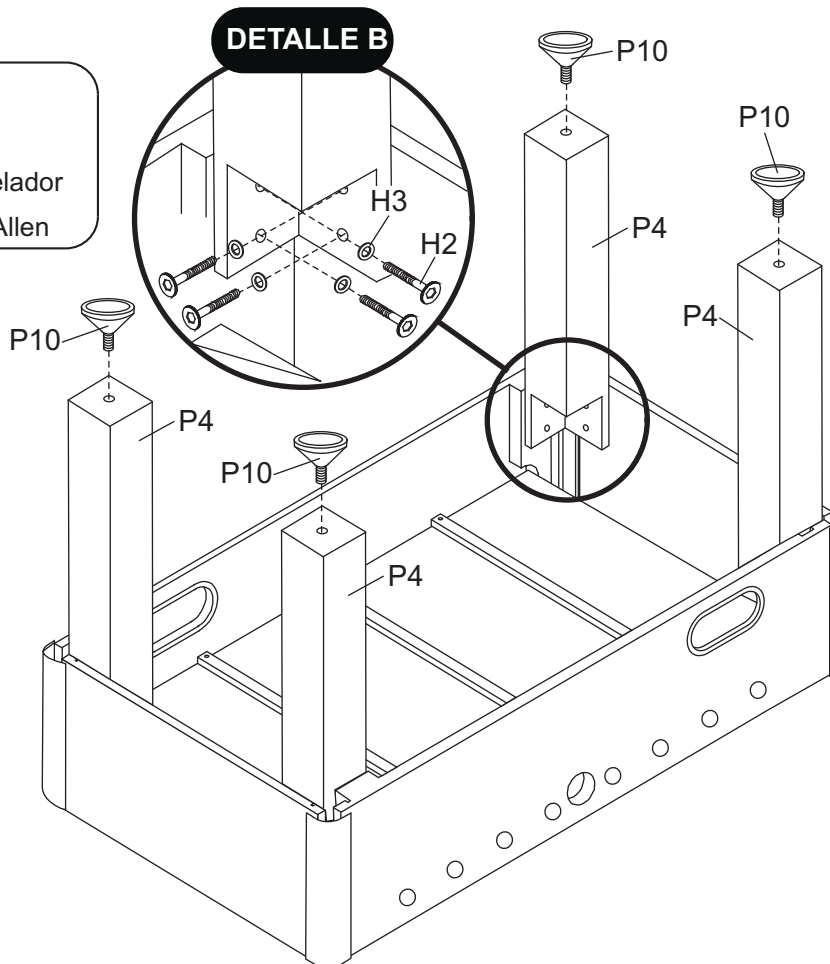


FIGURA 4

PARTES REQUERIDAS:

12 pzas. - **H7** Tornillo Phillips (Cabeza redonda) 2 pzas. - **P7** Recogedor de Pelotas
2 pzas. - **P6** Portería 2 pzas. - **P8** Tubo de Retorno de las Pelotas

PASO 5:

Centre y coloque la Portería **P6** sobre la abertura del panel del extremo usando los orificios guía pre-perforados y utilizando los Tornillos **H7** como se muestra en la **FIGURA 5**.

Centre y coloque el Recogedor de Pelotas **P7** sobre la abertura del Panel Lateral usando los orificios guía pre-perforados y utilizando los Tornillos **H7** como se muestra en la **FIGURA 5**.

Asegúrese de que la abertura circular del Tubo de Retorno de las Pelotas **P8** se encuentre hacia el suelo (cuando la mesa esté en posición vertical).

Repita el procedimiento para ambos extremos de la mesa.

Coloque los Tubos de Retorno para el Pelota **P8** entre la Portería **P6** y el Recogedor de Pelotas **P7** como se muestra en la **FIGURA 5**.

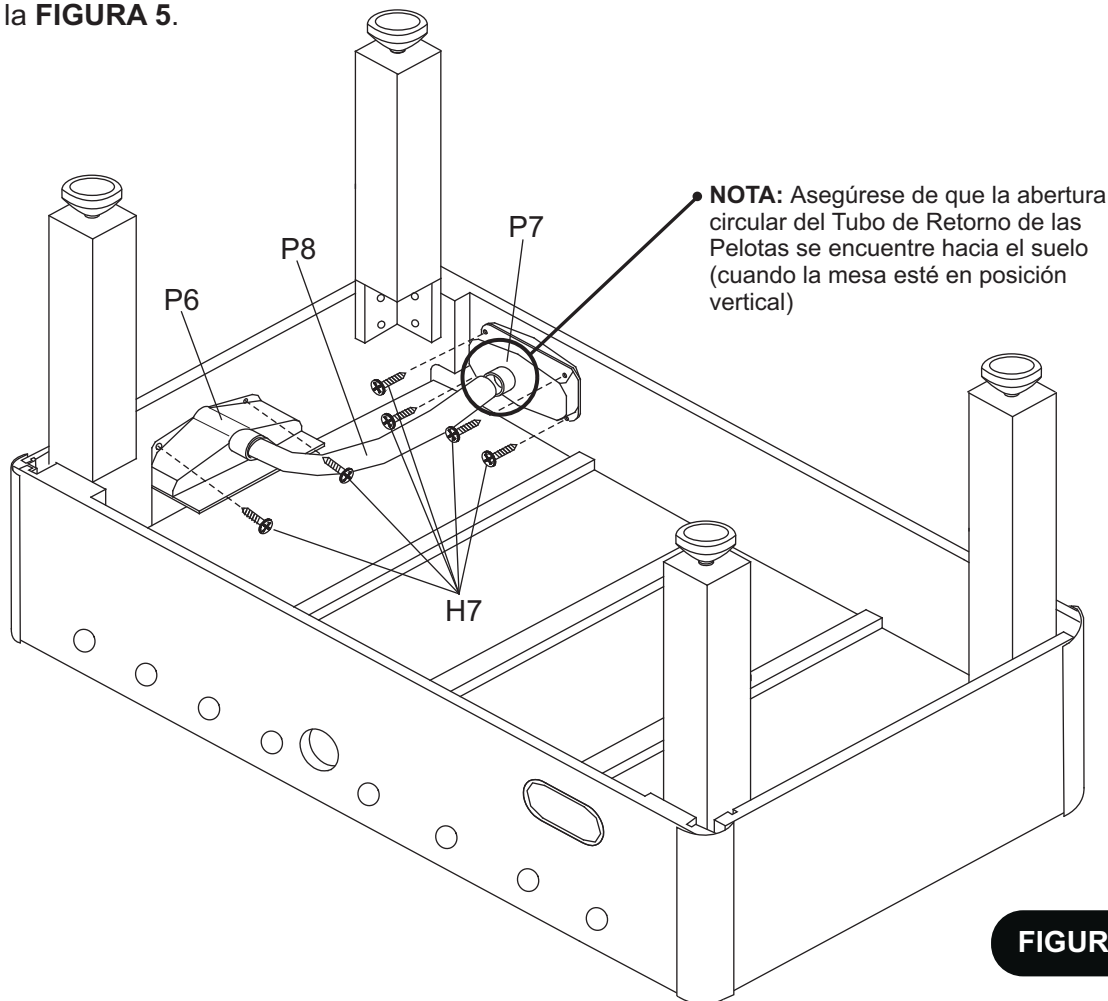


FIGURA 5

ADVERTENCIA

ESTE PASO REQUIERE DE CUATRO O MAS ADULTOS.

CON MUCHO CUIDADO VOLTEE LA MESA HASTA QUE LAS PATAS DE LA MESA ESTÉN SOBRE EL PISO.

TENGA CUIDADO LA MESA ESTÁ MUY PESADA.

PARTES REQUERIDAS:

6 pzas. - **H6** Tornillo Phillips (Cabeza redonda)
8 pzas. - **H9** Tornillo Phillips (cabeza plana)
2 pzas. - **P9** Borde de Superficie de juego
2 pzas. - **P18** Entrada de Pelotas

4 pzas. - **P11** Tapa de la Esquina
2 pzas. - **P13** Marcador
16 pzas. - **P17** Buje de la barra
4 pzas. - **P24** Portavasos

PASO 6:

Despegue la capa protectora de los Bordes de la Superficie de Juego **P9**, después despegue la tira adhesiva protectora de la parte inferior del Borde de la Superficie de Juego **P9**, Luego muy cuidadosamente póngalos a lo largo de la Superficie de Juego **P3** como se muestra en la **FIGURA 6**.

Coloque las Tapas de las Esquinas **P11** utilizando los Tornillos **H9** como se muestra en la **FIGURA 6**.

Apriete los Tornillos H9, pero no los sobre apriete ya que se dañarán.

Coloque los Marcadores **P13** sobre la parte superior de los Paneles del Extremo **P2** como se muestra en la **FIGURA 6**

Inserte los Bujes de las Barras **P17** dentro de ambos Paneles Laterales **P1** como se muestra en la **FIGURA 6**. Asegúrese que los Bujes de las Barras **P17** se inserten en el Panel Lateral **P1** para un ensamblamiento correcto.

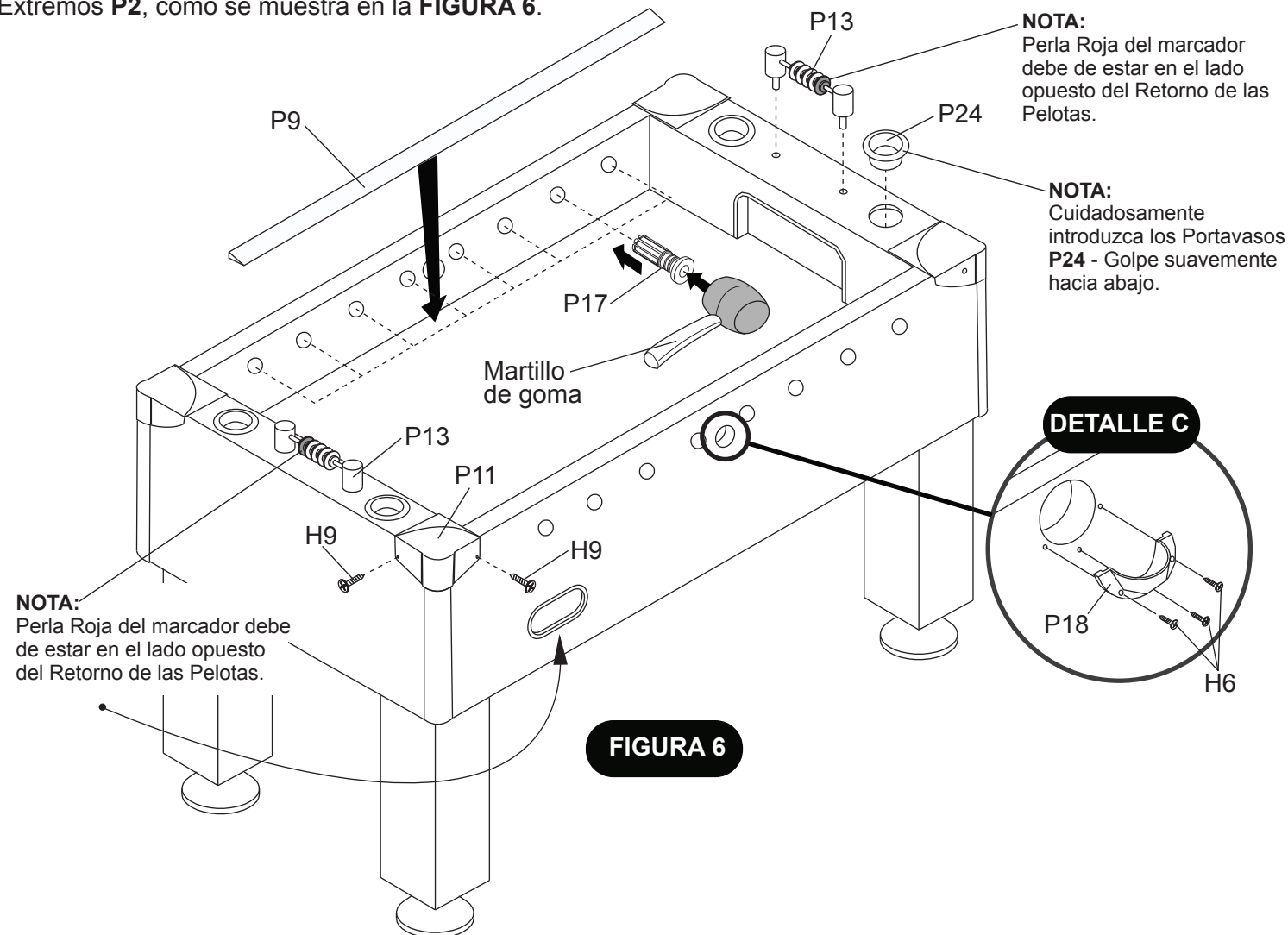
NOTA IMPORTANTE: Cuando instale los bujes de la barra **P17** pueden requerir el uso de un martillo de goma para su instalación en el panel lateral. Con un martillo de goma, golpee ligeramente y firmemente el buje dentro de su lugar. **¡NO UTILICE UN MARTILLO DE ACERO!**

Si no tiene un martillo de goma disponible, entonces coloque un pedazo de madera y golpee ligeramente y firmemente el buje dentro de su lugar.

Coloque Las Entradas de las Pelotas **P18** utilizando los Tornillos **H6** como se muestra en el **DETALLE C**.

Apriete los tornillos H6, pero no los sobre apriete ya que se dañarán.

Cuidadosamente introduzca - Golpee suavemente hacia abajo los Portavasos **P24** en los Paneles de los Extremos **P2**, como se muestra en la **FIGURA 6**.



PARTES REQUERIDAS:

4 pzas. - **H8** Tornillo Phillips

13 pzas. - **H10** Tornillo Phillips

13 pzas. - **H11** Tuerca de Seguridad

13 pzas. - **P19** Jugador Camisa Roja/Shorts Negros

1 pza. - **P21** Barra de 2 Jugadores

2 pzas. - **P22** Barra de 3 Jugadores

1 pza. - **P23** Barra de 5 Jugadores

8 pzas. - **P14** Tope de la barra

4 pzas. - **P15** Rod End Cup

4 pzas. - **P16** Mango de la barra

PASO 7:

Deslice la Barra de 3 Jugadores **P22**, la Barra de 5 Jugadores **P23** y la Barra de 2 Jugadores **P21** a través de los Bujes de la barra **P17** de uno de los Paneles Laterales **P1** como se muestra en la **FIGURA 7**.

NOTA IMPORTANTE: Por favor, **OBSERVE** la ubicación del orificio que está cerca de un extremo de cada barra. Este es el extremo del mango de la barra.

Coloque un Tope de la barra **P14** en cada barra como se muestra en la **FIGURA 7**.

Coloque los Jugadores de Camisa Roja con Shorts Negros **P19** en cada barra como se muestra en la **FIGURA 7**.

NOTA IMPORTANTE: El portero debe estar a su **IZQUIERDA** y su equipo (cara del jugador) viendo a la **DERECHA**.

Vea la Pagina 10 en la **FIGURA 10** esto le ayudará a ensamblar correctamente los jugadores y los mangos en las barras.

Coloque un Tope de la Barra **P14** en cada barra como se muestra en la **FIGURA 7**.

- = **P19** Jugador Camisa Roja/Shorts Negros
- = **P14** Tope de la Barra

VISTA DESDE ARRIBA VIENDO HACIA ABAJO SOBRE LA MESA

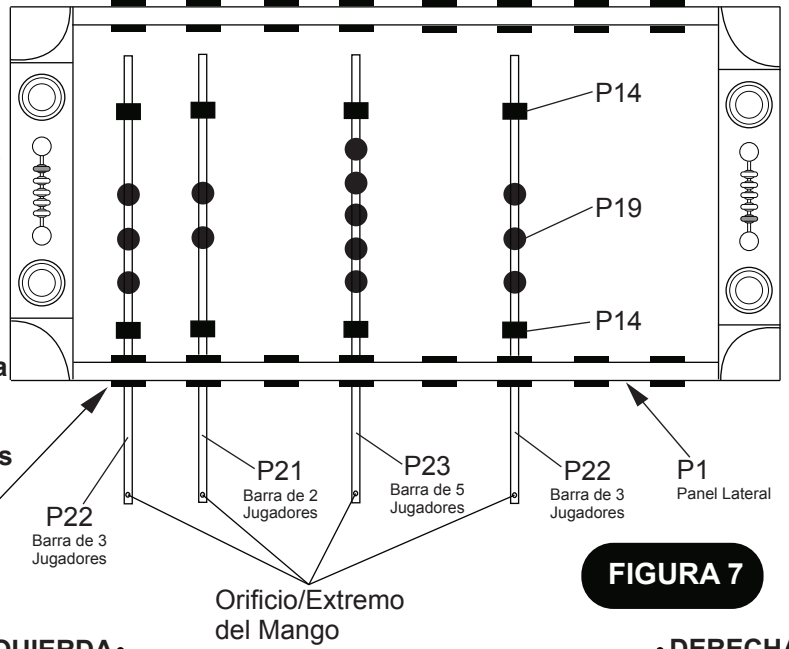


FIGURA 7

PASO 8:

Alinee el Jugador de Camisa Roja/Short Negro **P19** en cada orificio del jugador (de la Barra) y adjúntelo utilizando los Tornillos **H10** con las Tuercas de Seguridad **H11** como se muestra en la **FIGURA 8** y en el **DETALLE A**.

Coloque los Taponos **P15** a las barras como se muestra en la **FIGURA 8**.

Deslice el Mango **P16** en cada extremo de la barra con el orificio pequeño como se muestra en la **FIGURA 8**. Fije los Mangos de las barras **P16** utilizando los Tornillos **H8** como se muestra en la **FIGURA 8**.

VISTA DESDE ARRIBA VIENDO HACIA ABAJO SOBRE LA MESA

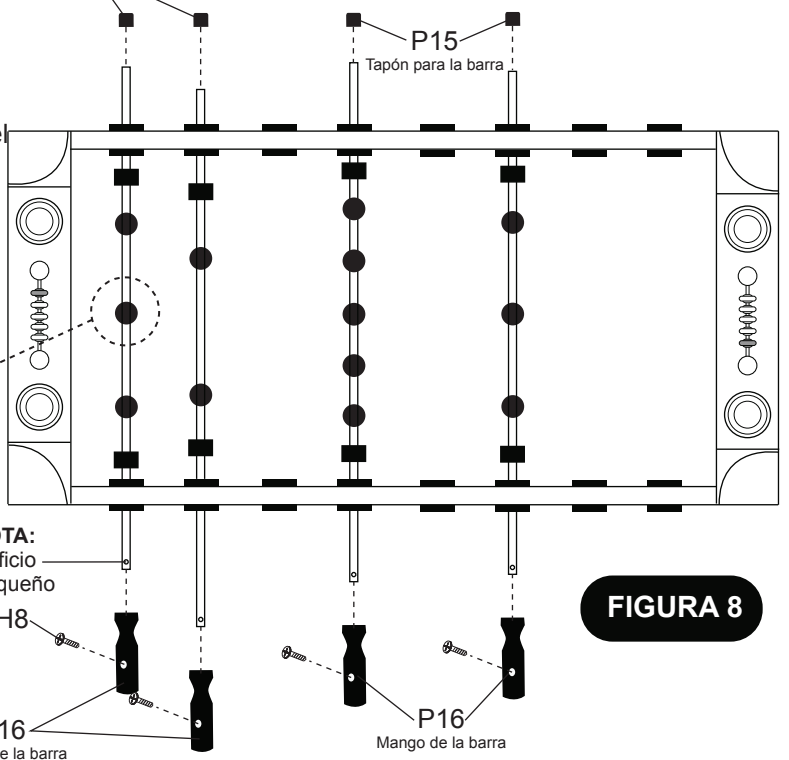
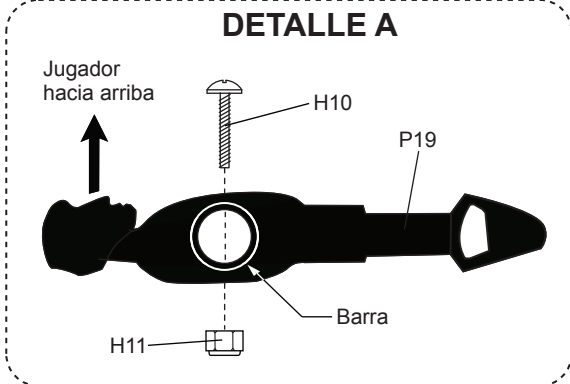


FIGURA 8



NOTA IMPORTANTE El Jugador debe estar en posición vertical, mientras que se fijen los Mangos de la Barra **P16** con la ranura hacia arriba.

PARTES REQUERIDAS:

4 pzas. - **H8** Tornillo Phillips

1 pza. - **P21** Barra de 2 Jugadores

8 pzas. - **P14** Tope de la barra

13 pzas. - **H10** Tornillo Phillips

2 pzas. - **P22** Barra de 3 Jugadores

4 pzas. - **P15** Rod End Cup

13 pzas. - **H11** Tuerca de Seguridad

1 pza. - **P23** Barra de 5 Jugadores

4 pzas. - **P16** Mango de la barra

13 pzas. - **P20** Jugador Camisa Negra/Shorts Amarillos

PASO 9:

Deslice la Barra de 3 Jugadores **P22**, la Barra de 5 Jugadores **P23** y la Barra de 2 Jugadores **P21** a través de los Bujes de la barra **P17** en el otro Panel Lateral **P1** como se muestra en la **FIGURA 9**.



NOTA IMPORTANTE: Por favor, **OBSERVE** la ubicación del orificio que está cerca de uno de los extremos de cada barra. Este es el extremo del mango de la barra.

Coloque un Tope de la barra **P14** en cada barra como se muestra en la **FIGURA 9**.

Coloque los jugadores de Camisa Negra/Shorts Amarillos **P20** en cada una de las barras como se muestra en la **FIGURA 9**.

NOTA IMPORTANTE El portero debe estar a su **IZQUIERDA** y su equipo (cara del jugador) viendo a la **DERECHA**.

Coloque un Tope de la Barra **P14** en cada barra como se muestra en la **FIGURA 9**.

	= P20 Jugador Camisa Negra/Shorts Amarillos
	= P14 Tope de la barra

VISTA DESDE ARRIBA VIENDO HACIA ABAJO SOBRE LA MESA

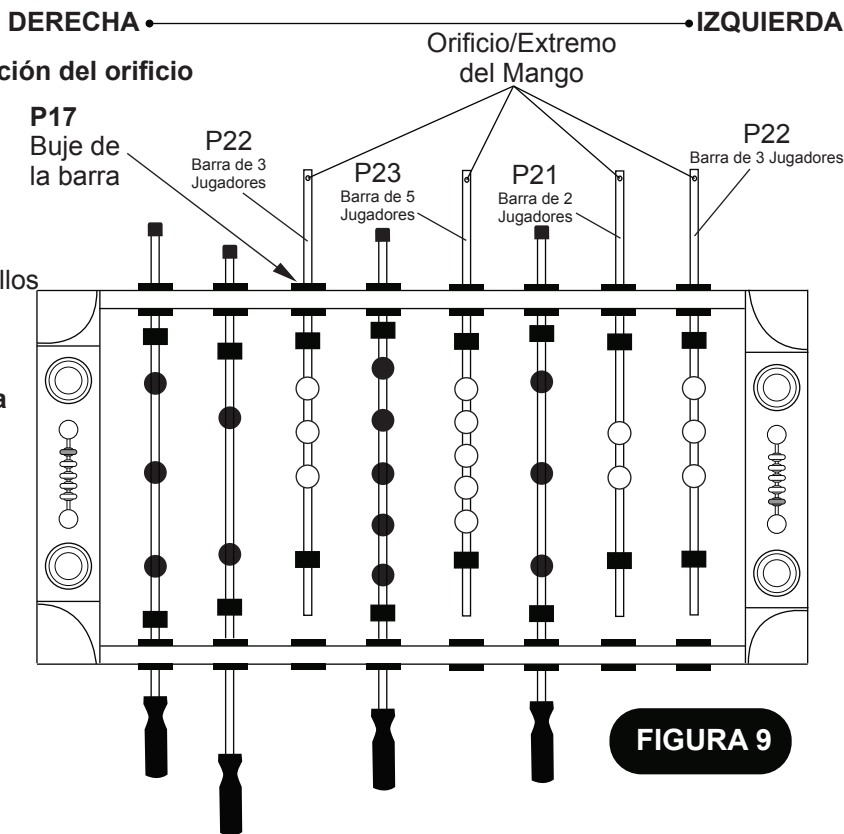


FIGURA 9

PASO 10:

Alinee el Jugador de Camisa Negra/Shorts Amarillo **P20** en cada orificio del jugador (de la Barra) y adjúntelo utilizando los Tornillos **H10** con las Tuercas de Seguridad **H11** como se muestra en la **FIGURA 10** and **DETALLE B**.

Coloque los Tapones P15 a las barras como se muestra en la **FIGURA 10**.

Deslice el Mango **P16** en cada extremo de la barra con el orificio pequeño como se muestra en la **FIGURA 10**. Fije los Mangos **P16** utilizando los Tornillos **H8** como se muestra en la **FIGURA 10**.

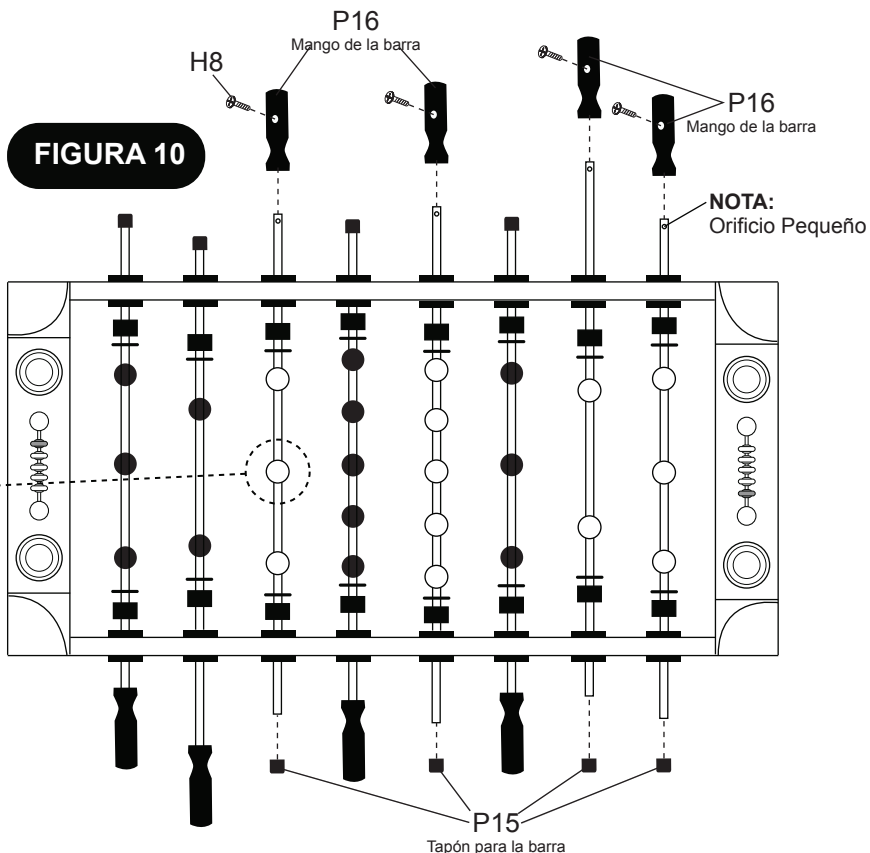
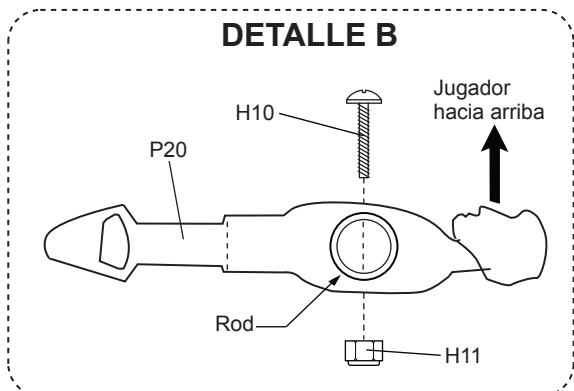


FIGURA 10

NOTA: Orificio Pequeño



NOTA IMPORTANTE: El Jugador debe estar en posición vertical, mientras se fijan los Mangos de la Barra **P16** con la ranura hacia arriba.

Felicidades! Ya ha terminado de ensamblar su mesa. Por favor, Siga las Instrucciones del Uso y del Cuidado de su mesa abajo mencionadas, para garantizar muchos años sin problemas del uso de su mesa.

CUIDADO Y USO DE SU MESA

1. Aplique unas gotas de lubricante (no incluidas) a las barras y los cojinetes. Gire las barras para asegurarse de que el lubricante se extienda de manera uniforme.
2. Use spray abrillantador de muebles para limpiar todas las superficies exteriores de su mesa.
3. Utilice un nivel de carpintero para nivelar la mesa con los niveladores de las patas.
4. Este producto está diseñado para su uso en **INTERIORES** exclusivamente.
5. **NO** sentarse, subirse, apoyarse sobre la mesa.
6. **NO** arrastre la mesa para moverla. Si lo hace se dañarán las patas.
7. **NO** ponga bebidas sobre la mesa.

LISTA DE PARTES PARA EL MODELO # G01889W

Clave	N.º de Parte	Descripción	Cant.
H1	01889WJH1	5/16" x 1-1/2" Tornillo Allen	8
H2	01889WJH2	5/16" x 1-1/4" Tornillo Allen	16
H3	01889WJH3	5/16" Rondana	24
H4	01889WJH4	#3.5 x 1-1/2" Tornillo Phillips (Cabeza tipo Rondana)	12
H5	01889WJH5	#4 x 2" Tornillo Phillips (cabeza plana)	6
H6	01889WJH6	#4 x 5/8" Tornillo Phillips (Cabeza redonda)	6
H7	01889WJH7	#4 x 1/2" Tornillo Phillips (Cabeza redonda)	20
H8	01889WJH8	3/16" x 5/8" Tornillo Phillips	8
H9	01889WJH9	#3 x 15mm Tornillo Phillips (cabeza plana)	8
H10	01889WJH10	#4 x 1" Tornillo Phillips	26
H11	01889WJH11	#4 Tuerca de Seguridad	26
T1	01889WJT1	Llave Allen	1
A1	01889WJA1	Pelota de Fútbol	4
P1	01889WJP1	Panel Lateral	2
P2	01889WJP2	Panel del Extremo	2
P3	01889WJP3	Superficie de Juego	1
P4	01889WJP4	Pata	4
P5	01889WJP5	Soporte de la Superficie de Juego	3
P6	01889WJP6	Portería	2
P7	01889WJP7	Recogedor de Pelotas	2
P8	01889WJP8	Tubo de Retorno de las Pelotas	2
P9	01889WJP9	Borde de Superficie de juego	2
P10	01889WJP10	Nivelador de las patas	4
P11	01889WJP11	Tapa de la Esquina	4
P12	01889WJP12	Poste de la Esquina	4
P13	01889WJP13	Marcador	2
P14	01889WJP14	Tope de la barra	16
P15	01889WJP15	Tapón para la barra	8
P16	01889WJP16	Mango de la barra	8
P17	01889WJP17	Buje de la barra	16
P18	01889WJP18	Entrada de Pelotas	2
P19	01889WJP19	Jugador Camisa Roja/Shorts Negros	13
P20	01889WJP20	Jugador Camisa Negra/Shorts Amarillos	13
P21	01889WJP21	Barra de 2 Jugadores	2
P22	01889WJP22	Barra de 3 Jugadores	4
P23	01889WJP23	Barra de 5 Jugadores	2
P24	01889WJP24	Portavasos	4
K1	01889WJK1	Conjunto de Tornillos y Tuercas	1
M1	01889WJM1	Manual	1

GARANTÍA LIMITADA POR 90 DÍAS

Esta garantía es aplicable para consumidores de la compra original de cualquier producto ESCALADE® SPORTS (en adelante denominado el "Producto").

DURACIÓN DE LA GARANTÍA: Se garantiza este Producto al comprador original por un período de (90) días a partir de la fecha de compra.

COBERTURA DE LA GARANTÍA: ESCALADE SPORTS le garantiza al comprador original que cualquier producto de su fabricación está libre de defectos en los materiales y fabricación cuando se lo utiliza para el propósito establecido, bajo condiciones normales de uso. ESTA GARANTÍA NO TIENE VALIDEZ SI EL PRODUCTO SE HA DETERIORADO POR ACCIDENTE, USO INDEBIDO, NEGLIGENCIA, MANTENIMIENTO INCORRECTO, NO SEGUIR LAS INSTRUCCIONES QUE VIENEN CON EL PRODUCTO U OTRAS CAUSAS NO RELACIONADAS CON DEFECTOS EN LOS MATERIALES O FABRICACIÓN.

APLICACIÓN DE LA GARANTÍA: Durante el período de garantía de (90) días, ESCALADE SPORTS reparará o reemplazará con otro similar, todo modelo o Producto o componente que resulte defectuoso bajo condiciones normales de uso y cuidado, cuando nuestra inspección demuestre que a nuestra satisfacción el mismo realmente es defectuoso; sírvase contactar a nuestro Departamento de Garantía.

1-888-996-2729 / Departamento de Garantía (Warranty Dept.)

○ escribanos a:

Escalade® Sports, Inc. - P.O. Box 889, Evansville, IN 47706 - Attn: Warranty Dept.

○ por correo electrónico a:

gameroom@escaladesports.com

Fuera de los gastos de envío, no se impondrá cargo alguno por la reparación o reemplazo de los productos en garantía. ESCALADE® SPORTS recomienda asegurar los Productos por su valor antes del envío.

LIMITACIÓN DE LA GARANTÍA: TODA GARANTÍA ORIGINADA EN ESTA VENTA, INCLUYENDO EN FORMA NO TAXATIVA, LAS GARANTÍAS IMPLÍCITAS DE COMERCIALIZACIÓN Y APTITUD PARA UN FIN ESPECÍFICO, TENDRÁ VIGENCIA POR UN PLAZO DE (90) DÍAS. ESCALADE® SPORTS NO SERÁ RESPONSABLE POR LA PÉRDIDA DE USO DEL PRODUCTO U OTROS COSTOS INCIDENTALES O RELACIONADOS, PERJUICIOS O PERDIDAS GENERADAS POR EL CONSUMIDOR ANTE CUALQUIER OTRO USO.

Algunos estados no permiten la exclusión o limitación de las garantías implícitas o daños incidentales o conexos, de modo que las limitaciones que anteceden pueden no ser aplicables en su caso.

RECURSOS LEGALES: Esta garantía le otorga algunos derechos específicos además de otros derechos que varían según el estado.