



We strive to ensure that our products are of the highest quality and free of manufacturing defects or missing parts. However, if you have any problems with your new product,

DO NOT RETURN IT TO THE STORE,

please contact us toll free @:

1-888-996-2729

FAX: 1-866-873-3531

gameroom@escaladesports.com

Or write to:

Escalade Sports

Customer Service Department

P.O. Box 889

Evansville IN 47706

Please visit our Web site at:

www.escaladesports.com

Please have your model number when inquiring about parts.

When contacting Escalade Sports please provide your model number, date code (if applicable) and part number if requesting a replacement part. These numbers are located on the product, packaging, and this owners manual.

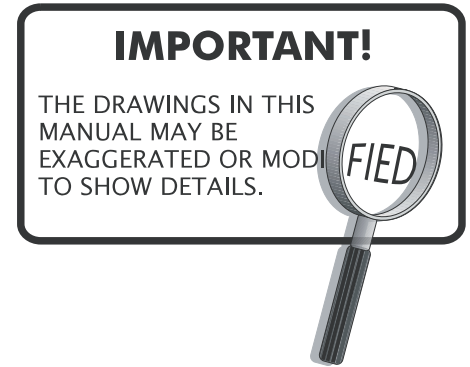
Your Model Number AL1005W/F

Date Code 2 - AL1005W- - SY

Purchase Date _____

PLEASE RETAIN THIS INSTRUCTION MANUAL FOR FUTURE REFERENCE

**IMPORTANT! READ EACH STEP
IN THIS MANUAL BEFORE YOU
BEGIN THE ASSEMBLY.**



TWO ADULTS ARE REQUIRED TO ASSEMBLE THIS 72” BROOKDALE AIR HOCKEY TABLE

Tools Required:

- Socket Head Wrench (Included)
- Furniture Polish and Cloth
- 24mm Open End Wrench or Crescent Wrench
- Small Phillips Screw Driver to Install Batteries

An electric screwdriver is helpful in assembly. However, please set at low torque and use extreme caution with an electric screwdriver because you could overtighten the hardware and strip the screws.

Assembly Tips

Make sure you understand the following tips before you begin to assemble your hockey table.

1. Start all bolts by hand before tightening.
2. Some drawings or images in this manual may not look exactly like your product. Please read and understand the text before starting each assembly step.



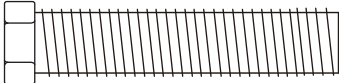
ATTENTION:

**READ AND FOLLOW ALL ASSEMBLY, OPERATION, AND
SAFETY INSTRUCTIONS CAREFULLY. AT LEAST TWO
ADULTS ARE NEEDED TO ASSEMBLE THIS TABLE.**

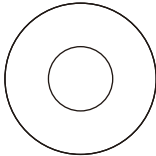
HARDWARE IDENTIFIER (To Scale)



H1 - 8mm x 130mm Hex Head Bolt
(4 pcs)



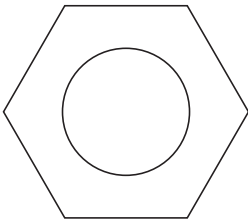
H2 - 8mm x 40mm Hex Head Bolt
(12 pcs)



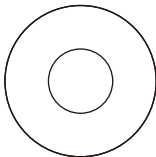
H3 - M8 Flat Washer
(16 pcs)



H4 - M8 Lock Washer
(16 pcs)



H5 - M16 Hex Nut
(8 pcs)

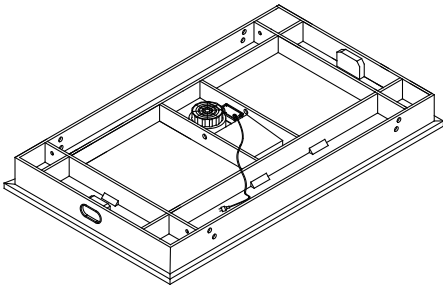


H6 - M18 Flat Washer
(8 pcs)

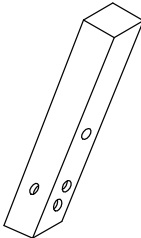


(Not to Scale)
T1 - Socket Head Wrench
(1 pc)

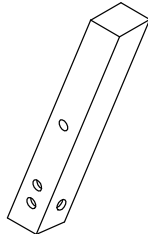
PARTS IDENTIFIER (Not to Scale)



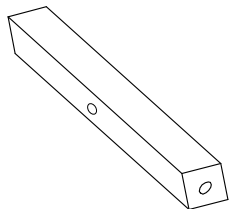
P1 - Main Cabinet
(1 pc)



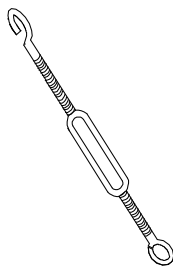
P2 - Leg A
(2 pcs)



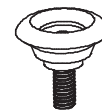
P3 - Leg B
(2 pcs)



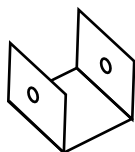
P4 - Leg Cross Support
(2 pcs)



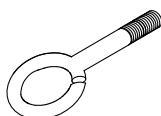
P5 - Turnbuckle Support
(2 pcs)



P6 - Leg Leveler
(4 pcs)



P7 - Metal Bracket
(2 pcs)



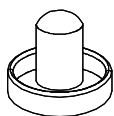
P8 - Leg Cross Support Hook
(2 pcs)



P9 - Cabinet Support Brace Hook
(2 pcs)

Note: Will install onto P4 Leg Cross Supports

ACCESSORIES IDENTIFIER (Not to Scale)



A1 - Striker
(2 pcs)



A2 - Puck
(2 pcs)



A3 - Felt Pad
(2 pcs)

NOTE: A3 Felt Pads may already be attached to A1 Strikers

Note: This equipment has been tested and found to comply with the limits for a Class B digital device, pursuant to part 15 of the FCC Rules. These limits are designed to provide reasonable protection against harmful interference in a residential installation. This equipment generates, uses and can radiate radio frequency energy and, if not installed and used in accordance with the instructions, may cause harmful interference to radio communications. However, there is no guarantee that interference will not occur in a particular installation. If this equipment does cause harmful interference to radio or television reception, which can be determined by turning the equipment off and on, the user is encouraged to try to correct the interference by one or more of the following measures:

- Reorient or relocate the receiving antenna.
- Increase the separation between the equipment and receiver.
- Connect the equipment into an outlet on a circuit different from that to which the receiver is connected.
- Consult the dealer or an experienced radio/TV technician for help.

This device complies with part 15 of the FCC Rules. Operation is subject to the following two conditions:
(1) This device may not cause harmful interference, and (2) this device must accept any interference received, including interference that may cause undesired operation."

"CAUTION: Changes or modifications not expressly approved by the party responsible for compliance could void the user's authority to operate the equipment."

PARTS REQUIRED

1pc - **P1** Main Cabinet

2pcs - **P9** Cabinet Support Brace Hook

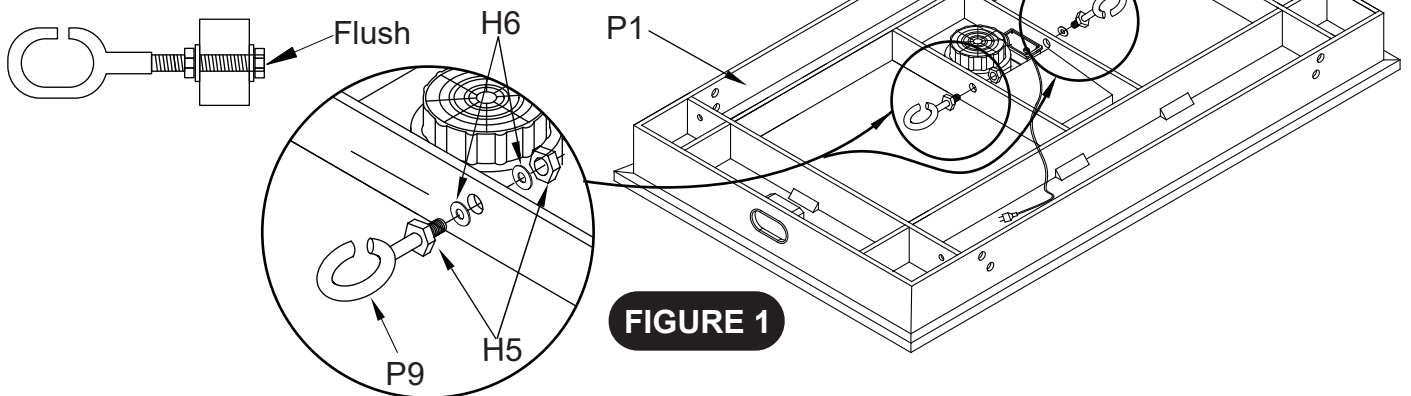
4pcs - **H5** M16 Hex Nut

4pcs - **H6** M18 Flat Washer

STEP 1

Attach the **P9** Cabinet Support Brace Hook onto the **P1** Main Cabinet using the **H5** Hex Nut and **H6** M18 Flat Washer as shown in **FIGURE 1**.

Tighten H5 Hex Nut using the 24mm Open End Wrench or Crescent Wrench.



PARTS REQUIRED

2pc - **P2** Leg A

2pc - **P3** Leg B

12pcs - **H2** Hex Head Bolt

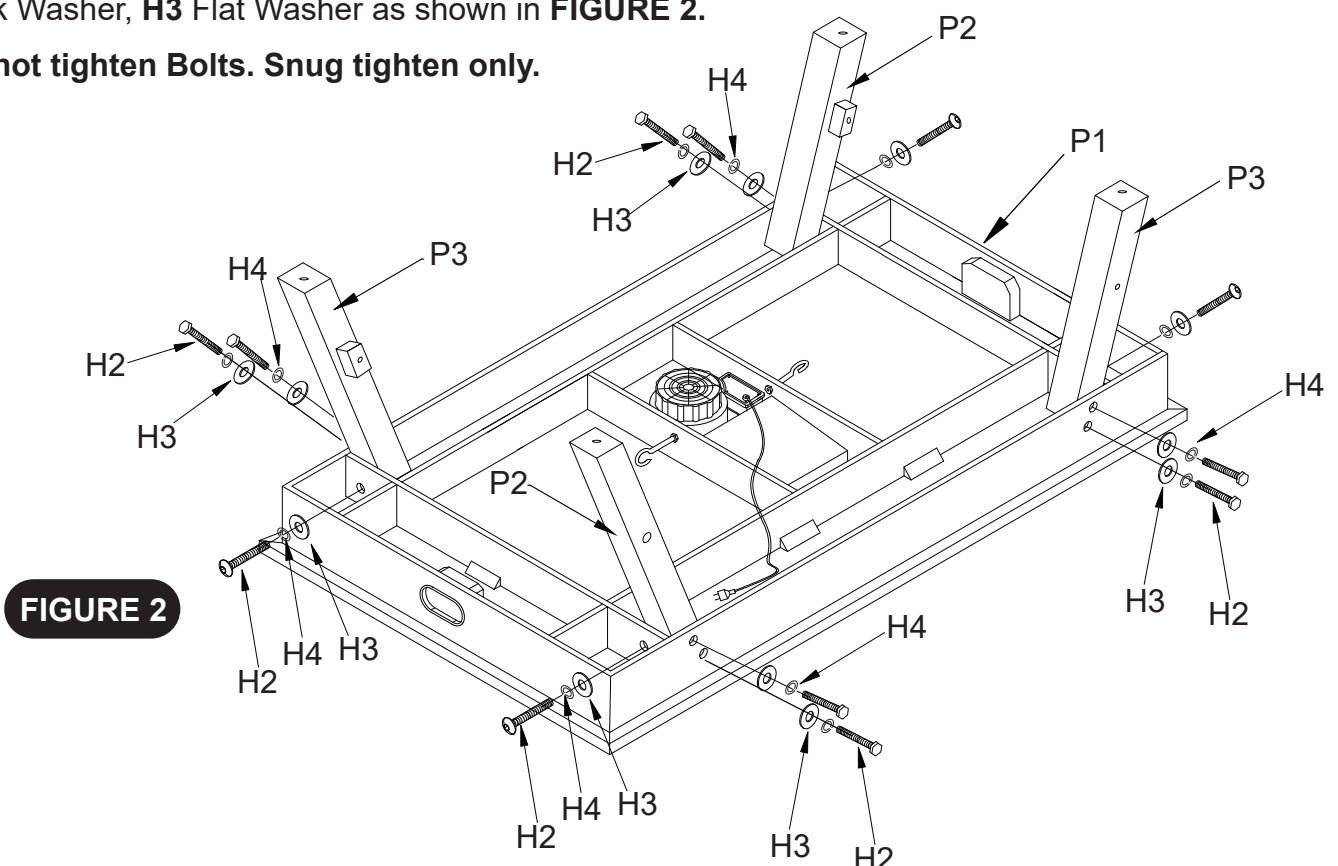
12pcs - **H3** M8 Flat Washer

12pcs - **H4** M8 Lock Washer

STEP 2

Attach the **P2** Leg A, **P3** Leg B onto the **P1** Main Cabinet using the **H2** Hex Head Bolts, **H4** Lock Washer, **H3** Flat Washer as shown in **FIGURE 2**.

Do not tighten Bolts. Snug tighten only.



PARTS REQUIRED

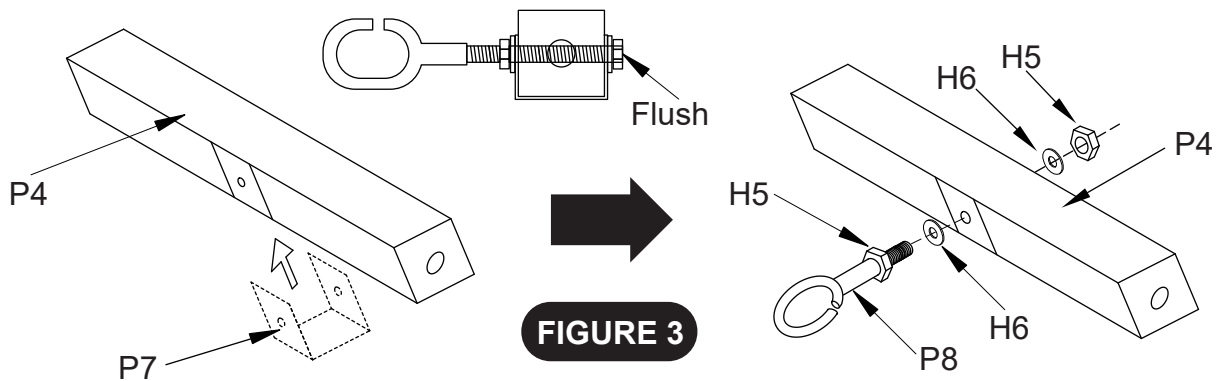
2pcs - **P4** Leg Cross Support
2pc - **P7** Metal Bracket
2pc - **P8** Leg Cross Support Hook

4pcs - **H5** M16 Hex Nut
4pcs - **H6** M18 Flat Washer

STEP 3

Align the hole on the **P7** Leg Bracket with the predrilled hole on the **P4** Leg Cross Support. Attach the **P8** Leg Cross Support Hook onto the **P4** Leg Cross Support with the **H5** Hex Nut and **H6** Flat Washer as shown in **FIGURE 3**.

Tighten H5 Hex Nut using the 24mm Open End Wrench or Crescent Wrench.



PARTS REQUIRED

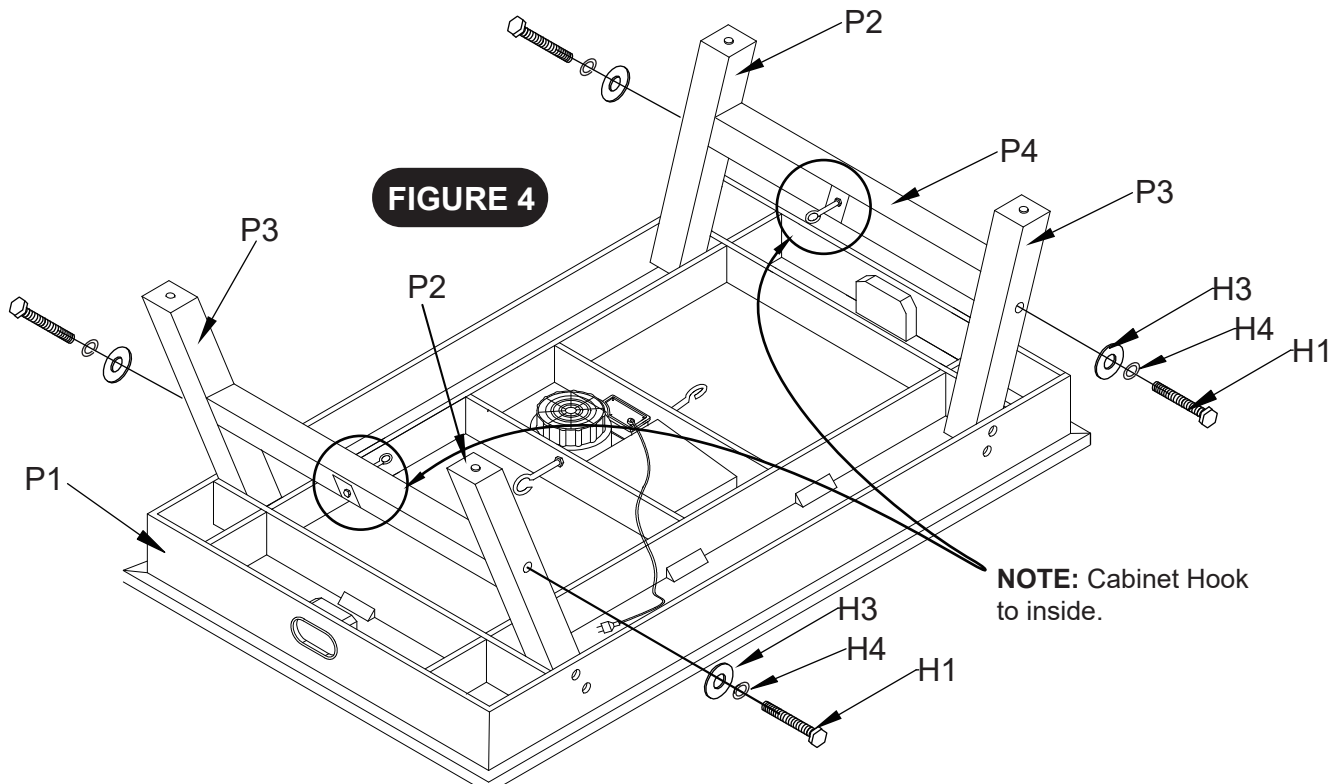
2pcs - **P4** Leg Cross Support
4pcs - **H3** M8 Flat Washer

4pcs - **H1** Hex Head Bolt
4pcs - **H4** M8 Lock Washer

STEP 4

Attach the STEP 3 Assembly to the **P2** Leg A and **P3** Leg B with the **H1** Hex Head Bolt, **H3** M8 Flat Washer and **H4** Lock Washer as shown in **FIGURE 4**.

Tighten all leg bolts now using the T1 Socket Head Wrench---tight.



PARTS REQUIRED

2pcs - **P5** Turnbuckle Support

4pcs - **P6** Leg Leveler

STEP 5

Attach the **P5** Turnbuckle Support onto the **P8** Leg Cross Support Hook and **P9** Cabinet Support Brace Hook.

Thread **P6** Leg levelers to legs as shown in **FIGURE 5**.

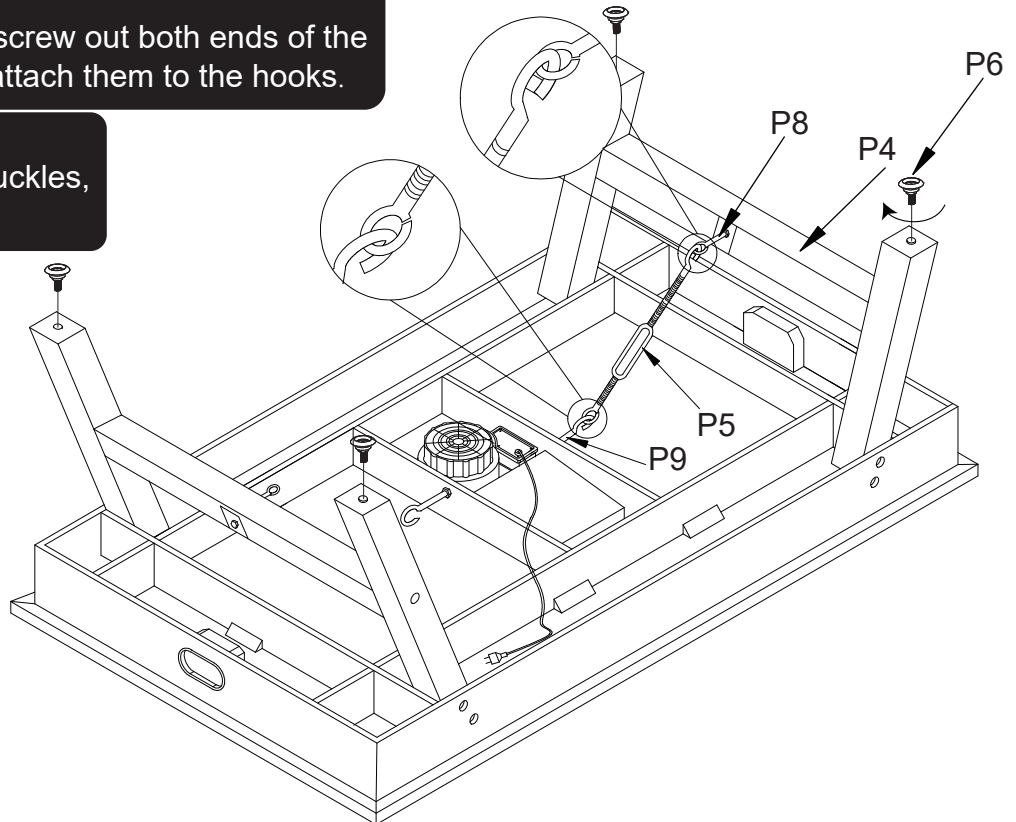
NOTE:

It will be necessary to screw out both ends of the turnbuckle in order to attach them to the hooks.

NOTE:

Do not tighten the turnbuckles, snug tighten only.

FIGURE 5

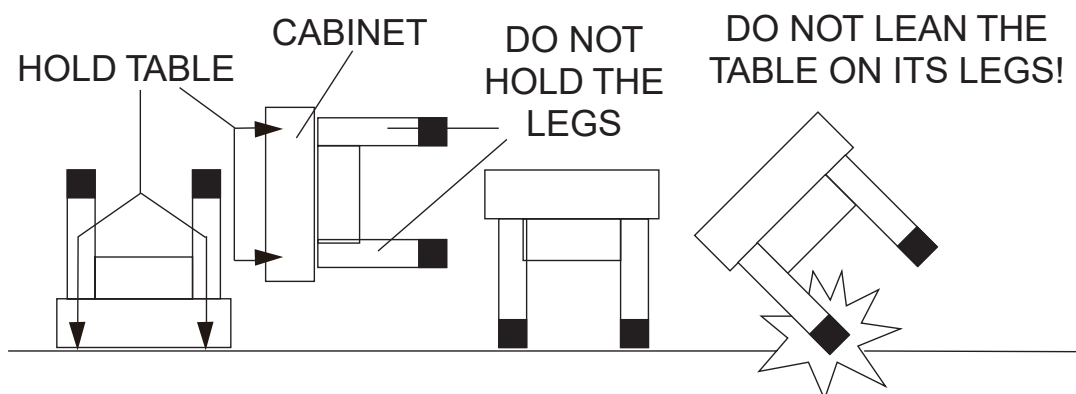


WARNING:

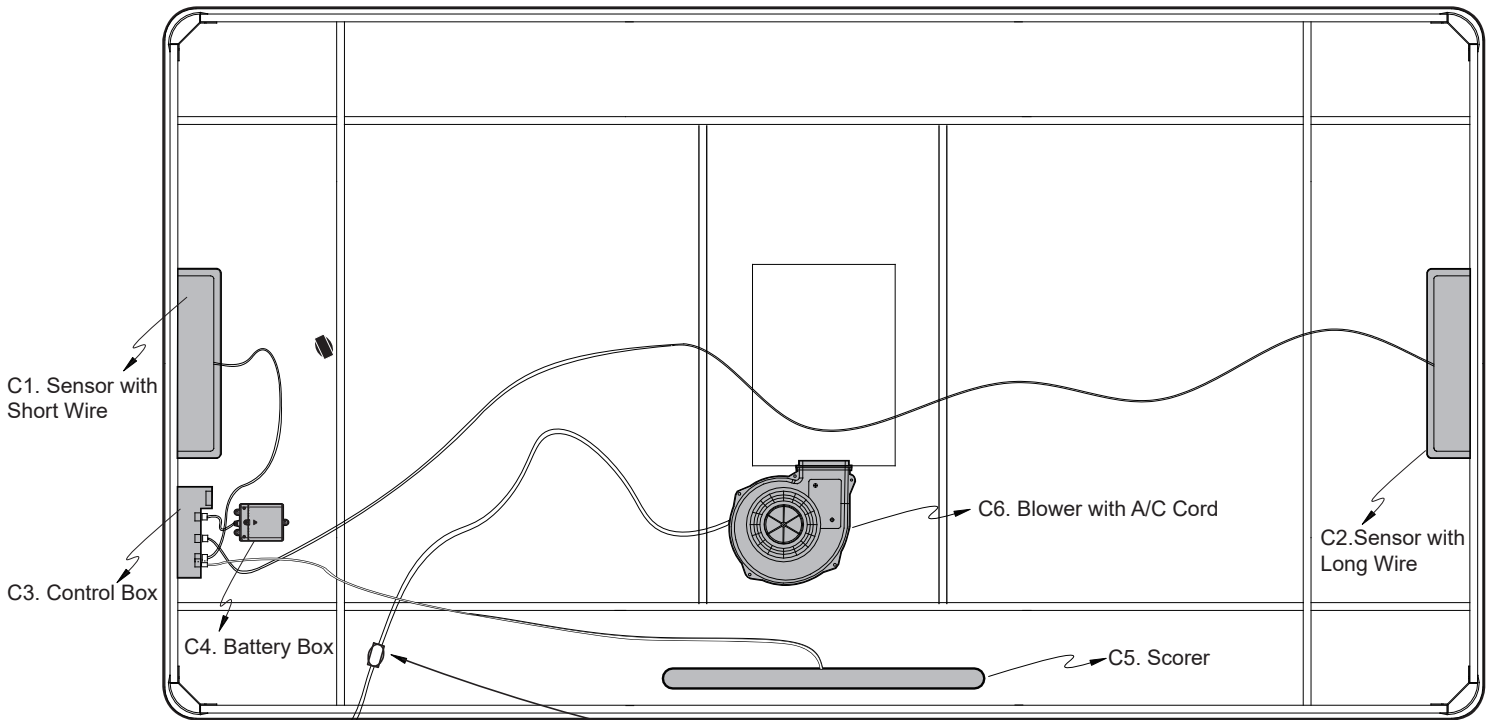
THIS STEP REQUIRES FOUR OR MORE ADULTS.

WHILE FLIPPING THE TABLE OVER, DO NOT ALLOW TABLE TO REST ON THE SIDE OF LEGS AS THIS COULD DAMAGE THEM.

VERY CAREFULLY TURN THE TABLE OVER AND SET IT ON ITS LEGS. BE CAREFUL. THE TABLE IS VERY HEAVY.

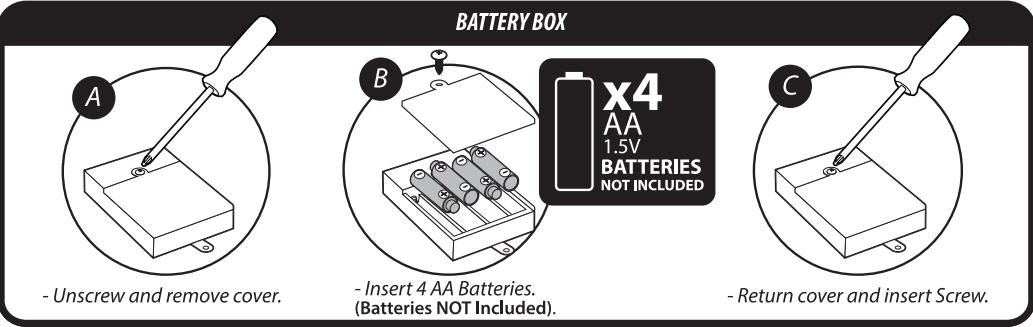
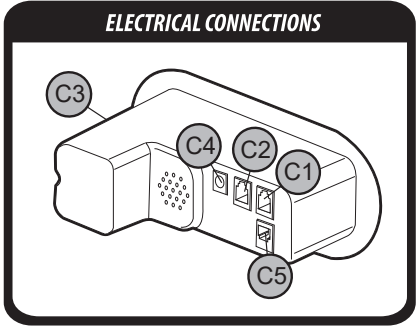
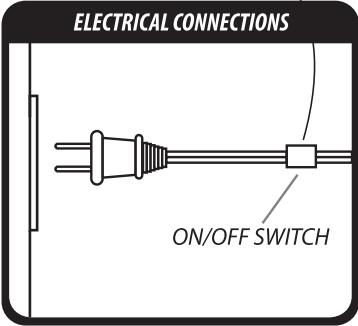


ELECTRONIC CONNECTIONS

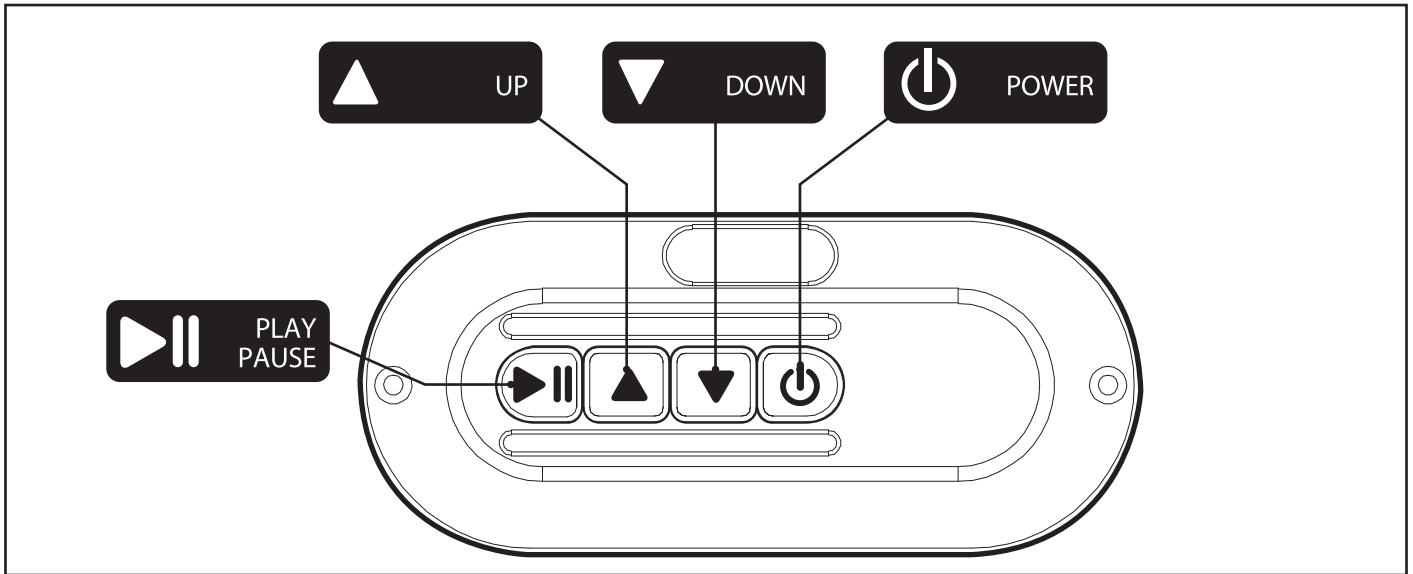


IMPORTANT:
 Plug into wall outlet.
 Do not allow cord to be a trip hazard.

NOTE:
 ON/OFF switch is attached to the air fan motor cord. Be sure to always turn fan motor off when play is completed.



LED SCORING OPERATING





SCOREBOARD OPERATION


POWER

Press the **POWER** button  to turn the scoreboard ON.

SELECT PLAYING TIME

Press the **UP**  or **DOWN**  button to scroll through the playing time options.


- 3 Minutes
- 5 Minutes
- 7 Minutes
- 10 Minutes
- Tug of War (Each goal scored moves the LEDs towards the scoring player. First player to reach 11 wins!)
- Free Play (no time limit)

Press the **PLAY** button  to select the current time and begin playing the game.

SOUND

During game play, press the **UP**  or **DOWN**  buttons to adjust the volume level.

TIMEOUT

Press the **PLAY** button  during game play to pause the clock and take a timeout.

RESET

After the game is over, press any button (Except the **POWER** BUTTON) to **RESET** the scoreboard.

Press and hold any button (Except the **POWER** BUTTON) for 3 seconds to **RESET** the scorer at any time.

Congratulations! You have now assembled your table. Please note the Care and Use instructions below to insure many years of trouble free use of your game table.

CARE AND USE OF YOUR TABLE

1. Use spray furniture polish to clean all exterior surfaces of your table and on the playfield with the air motor running.
2. Use only a suitable 120v AC household outlet, and insure the cord is not a trip hazard.
3. This product is intended for **INDOOR** use only.
4. **DO NOT** sit, climb or lean on the table.
5. **DO NOT** drag the table when moving it. This will damage the legs.
6. **DO NOT** set drinks on the table.
7. The purchase of a table cover will both protect and help keep clean the entire top of the table.
8. Use a carpenters level to properly level the table using the leg levelers.

PRODUCT PARTS LIST FOR MODEL # AL1005W/F

Key #	Part #	Description	Qty.
H1	AL1005STXH1	8mm x 130mm Hex Head Bolt	4
H2	AL1005STXH2	8mm x 40mm Hex Head Bolt	12
H3	AL1005STXH3	M8 Flat Washer	16
H4	AL1005STXH4	M8 Lock Washer	16
H5	AL1005STXH5	M16 Hex Nut	8
H6	AL1005STXH6	M18 Flat Washer	8
T1	AL1005STXT1	Socket Head Wrench	1
P1	AL1005STXP1	Main Cabinet	1
P2	AL1005STXP2	Leg A	2
P3	AL1005STXP3	Leg B	2
P4	AL1005STXP4	Leg Cross Support	2
P5	AL1005STXP5	Turnbuckle Support	2
P6	AL1005STXP6	Leg Leveler	4
P7	AL1005STXP7	Metal Bracket	2
P8	AL1005STXP8	Leg Cross Support Hook	2
P9	AL1005STXP9	Cabinet Support Brace Hook	2
A1	AL1005STXA1	Striker	2
A2	AL1005STXA2	Puck	2
A3	AL1005STXA3	Felt Pad (may be attached)	2
C1	AL1005STXC1	Sensor with Short Wire	1
C2	AL1005STXC2	Sensor with Long Wire	1
C3	AL1005STXC3	Control Box	1
C4	AL1005STXC4	Battery Box	1
C5	AL1005STXC5	Scorer	1
C6	AL1005STXC6	Blower with A/C Cord	1
K1	AL1005STXK1	Hardware Kit	1
M1	AL1005STXM1	Owner's Manual	1

First Time Battery Installation:

Locate battery compartment for this product .

Use alkaline batteries for maximum performance .

Using a small Phillips head screwdriver – loosen and remove the battery compartment cover screw(s).

Remove battery compartment cover .

Install new batteries only after reading the “ Battery Information NOTICE“ !

Replace compartment cover and secure cover with the cover screw . Do not over tighten and strip out the screw .

IMPORTANT: BATTERY INFORMATION

Please retain this information for future reference. Batteries must be installed / replaced by an adult .

Notice:

1. Remove and replace batteries when the electrical features of this product work slowly or are not functional .
2. Do not mix old and new batteries .
3. Do not mix different types of batteries : Alkaline , Standard (Carbon-Zinc) , or rechargeable (Nickel-Cadmium batteries) .
4. Use Alkaline Batteries for maximum performance .
5. Do not use damaged batteries .
6. Use only batteries of the same or equivalent type as recommended.
7. Install new batteries as per matching the battery polarity guide (+ & - , positive and negative) inside of the battery compartment . Correct battery polarity installation is critical as to not damage the internal electrical components as well as insuring the correct functionality of the product .
8. Do not short circuit the battery terminals .
9. Always remove exhausted , leaking, weak , and batteries from long periods of nonuse from the product . Battery leakage and corrosion can cause damage .
10. Check the battery terminals are clean and bright before installing new batteries.
11. Dispose of old batteries safely and per local battery disposal codes .
12. Do not dispose of batteries into a fire as they may explode or leak.
13. If removable rechargeable batteries are used , they are to be charged under adult supervision .
14. Rechargeable batteries are to removed from the product before they are charged .
15. If you use a battery charger, it should be examined regularly for damage to the cord , plug, enclosure, and other parts. Do not use a damaged or malfunctioning charger until it is properly repaired.
16. Non rechargeable batteries must not be recharged .
17. Always remove batteries from this product for extended storage and or non-use .
18. Should this product cause , or be affected by, local electrical interference , move it away from other electrical equipment . Reset (switching off and back on again and or removing and reinserting the batteries) if necessary .

90 DAY LIMITED WARRANTY

This customer warranty extends to the original owner, on the purchase of any ESCALADE SPORTS Product (hereinafter referred as the "Product").

WARRANTY DURATION: This Product is warranted to the original owner, for a period of 90 days from the original purchase.

WARRANTY COVERAGE: ESCALADE SPORTS warrants to the original owner, this product to be free from defects in material and workmanship when used for the intended purpose under normal use and conditions. THIS WARRANTY IS VOID IF THE PRODUCT HAS BEEN DAMAGED BY ACCIDENT, UNREASONABLE USE, NEGLIGENCE, IMPROPER SERVICE, FAILURE TO FOLLOW INSTRUCTIONS PROVIDED WITH THE PRODUCT OR OTHER CAUSES NOT ARISING OUT OF DEFECTS IN MATERIAL AND WORKMANSHIP.

WARRANTY REPLACEMENT: During the above 90 day warranty period, ESCALADE SPORTS shall provide replacement components or replace with a comparable product at our choosing. If product is defective under normal use and proper care, please contact our Customer Service Dept.

1-888-996-2729 / Customer Service Dept.

Or Write us at:

Escalade® Sports, Inc. - P.O. Box 889, Evansville, IN 47706

Attn: Customer Service Dept.

Or E-mail us at:

customerservice@escaladesports.com

Other than shipping requirements no charge will be made for such replacement of in-warranty Products.

WARRANTY DISCLAIMERS: ANY IMPLIED WARRANTIES ARISING OUT OF THIS SALE, INCLUDING BUT NOT LIMITED TO THE IMPLIED WARRANTIES OF MERCHANTABILITY AND FITNESS FOR A PARTICULAR PURPOSE, ARE LIMITED IN DURATION TO THE ABOVE 90 DAY PERIOD. ESCALADE SPORTS SHALL NOT BE LIABLE FOR LOSS OF USE OF THE PRODUCT OR OTHER CONSEQUENTIAL OR INCIDENTAL COSTS, EXPENSES OR DAMAGES INCURRED BY THE CONSUMER OF ANY OTHER USE.

Some states do not allow the exclusion or limitation of implied warranties or consequential or incidental damages, so the above limitations or exclusions may not apply to you.

LEGAL REMEDIES: This warranty gives you specific legal rights and you may also have other rights which may vary from state to state.